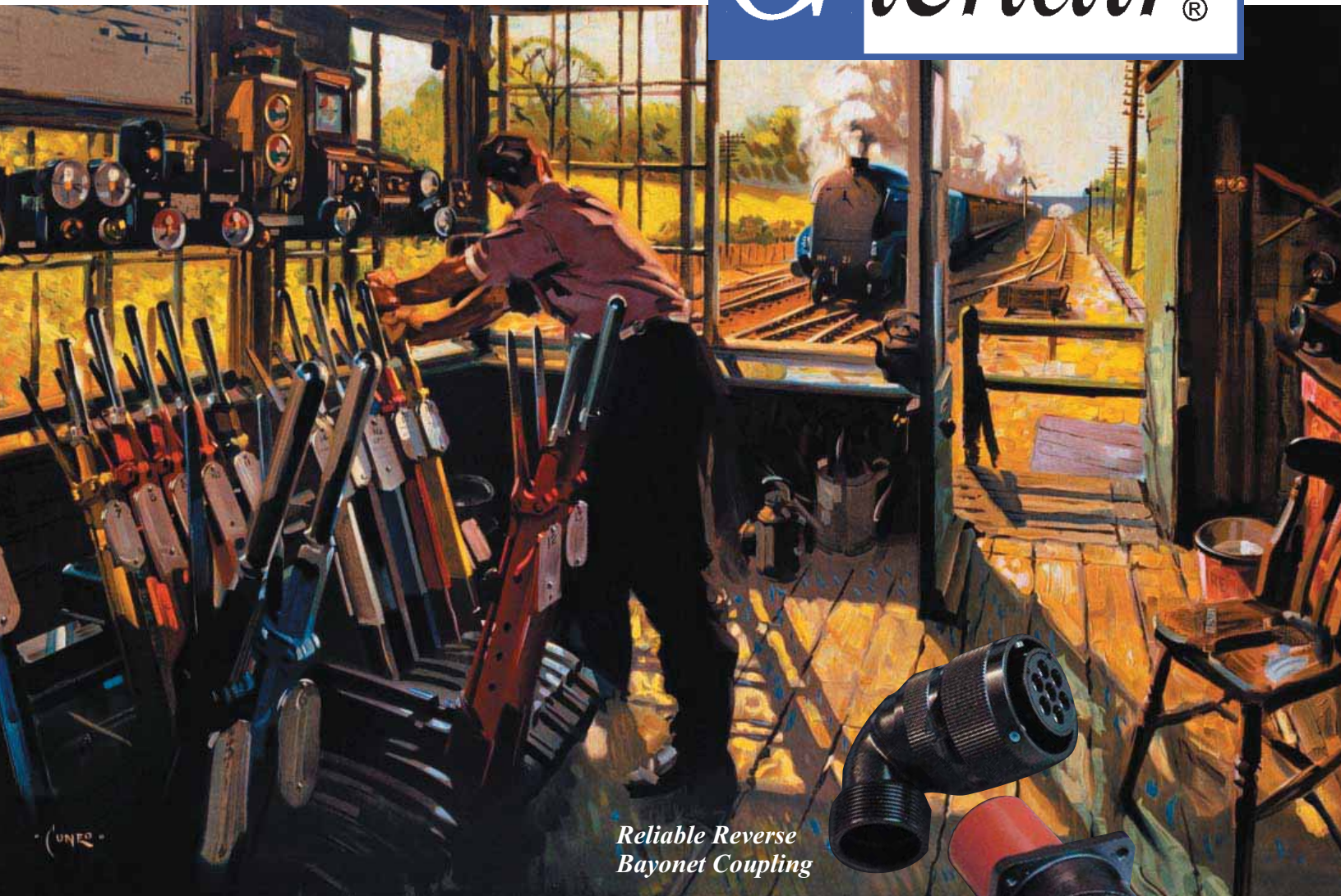


Glenair®



*Reliable Reverse
Bayonet Coupling*

Commital Series ITH (NFF 61030 • BS 6853)

Easy-to-Assemble, Rigid Insert Power and Signal Connectors

United States ■ United Kingdom ■ Germany ■ France ■ Nordic ■ Italy ■ Spain ■ Japan

REVERSE THE PRESS!!!



Commital S.p.A

Is Now a Division of Glenair

Same Great Products Worldwide Service and Support



Commital SpA

Via Cà Dell'Orbo, 49 - 40050 VILLANOVA DI CASTENASO
BOLOGNA, ITALY

Telephone: +39 051/782811 r.a. - Fax: +39 051/782259 · E-Mail: commital@commital.com
www.commital.com

United States · United Kingdom · Germany · Nordic · France · Italy · Spain

www.glenair.com

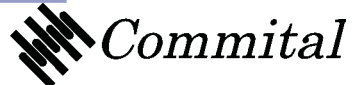
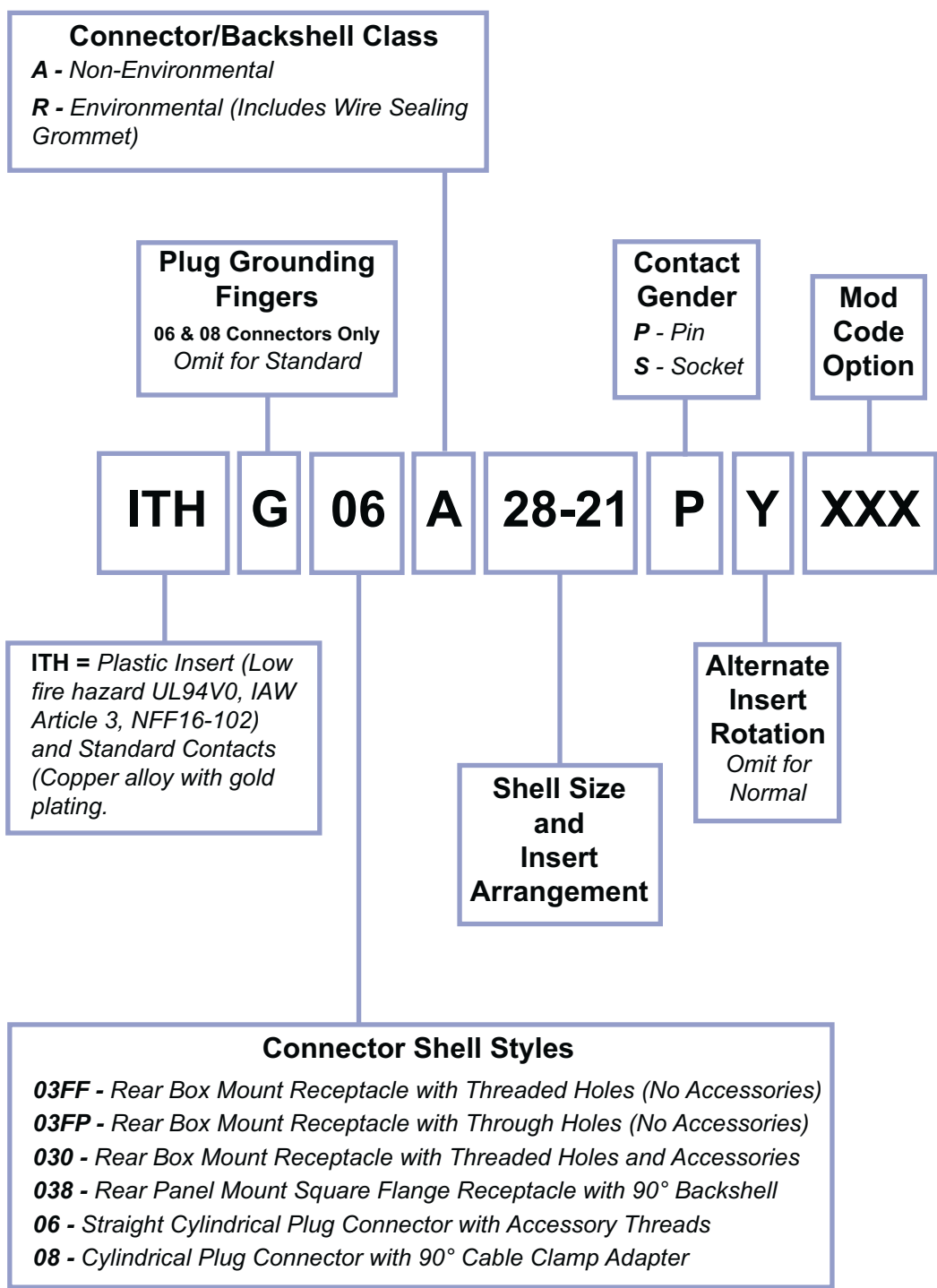
A World of Interconnect Solutions

Table of Contents

Series ITH Rigid Insert Reverse Bayonet Connector Products and Part Numbers



How to Order Series ITH Rigid Insert Connectors.....	2
Introduction to ITH Reverse Bayonet Connector Assemblies.....	3
Dimensional Details Pin Co□	4
Dimensional Details Socket Contacts.....	5
Contact Arrangements , Polarizations, and Insert Arrangements.....	6
Electrical Performance : Rated Current.....	8
Exploded View : Wall-Mount Receptacle and Straight Plug.....	9
Panel Cutout and Thickness Requirements	10
PL 607-XXP/XXS Insulating Grommet.....	11
ITH 03FF A, ITH 03FP A, ITH 03FF R & ITH 03FP R Box Mount Receptacle for Rear Panel Mounting.....	12
ITH 030 A and ITH 030 R Rear Box Mount Receptacle with Backshell Cable Clamp Adapter.....	14
ITH 030 (EMI) and ITHC 030 (EMI) Rear Box Mount Receptacle with Backshell for Shielded and Jacketed Cable ...	16
ITH 030 A (M) Rear Box Mount Receptacle with Metric Thread Cable Gland Backshell.....	18
ITH 06 A / R NO Straight Plug Assembly.....	20
ITH 06 A and ITH 06 R Straight Plug with Backshell Cable Clamp Adapter.....	22
ITH 06 A (EMI) Straight Plug with Backshell for EMI Shielded and Jacketed Cable.....	24
ITH 06 A (M) Straight Plug Connector with Metric Thread Cable Gland Backshell.....	26
ITH 08 A and ITH 08 R 90° Plug Connector with Accessory Backshell for Use with Strain-Relief Cable Clamps.....	28
PL 37267-XX Type A Adapter..□	30
PL 37267-XXM Metric Adapter4	31
IT 37267-BRXXX BR Adapter for Termination of UNI4883 Rubber Conduit.....	32
ITB 06T-XX Plug Connector Cap with Stainless Steel Chain.....	34
ITB 02T-XX Receptacle Connector Cap with Stainless Steel Chain.....	35
IT 3057-A Cable Clamp.....□	36
IT 3057-XXC General Duty Cable Clamp for Jacketed or Multipolar Cable or Wires Protected by Tubing.....	37
IT 3420-XX (Class A) and IT 3420-XXA (Class C) Neoprene Sleeve Used with Class A or C Cable Clamps.....	38 & 39
IT 40450-XX and IT 40450-XXS Connector Mounting Gaskets for Front-Mounted Square Flange Receptacle.....	40
IT 40450-XX and IT 40450-XXS Connector Mounting Gaskets for Rear-Mounted Square Flange Receptacle.....	41
Crimping, Insertion and Removal Tools for Termination of ITH Connectors.....	42 & 43
How to Order Series ITH Rigid Insert Connectors.....	44



Series ITH Rigid Inserts and Crimp Contacts Save Assembly Time and Improve Electrical Insulation Performance

The Glenair Commital ITH connector series is based on the MIL-C-5015 standard, but features an improved reverse bayonet coupling technology in place of the threaded coupling used in MIL-C-5015. The ITH Series is also notable for its rigid inserts and crimp contacts that provide both better electrical insulation as well as reduced assembly time. The connector also features a 3-point reverse bayonet coupling mechanism which provides easier mating when the connector is in an awkward position. Positive locking of the three stainless steel pins provides reliable resistance to vibration and shock, and prevents connector de-coupling in even the most rugged applications such as locomotives and mass-transit cars. The products conform to the VG 95234 standard and are currently used throughout Europe on hundreds of ruggedized applications. All connectors in the series conform to French (NFF 61030) and British (BS 6853) electrical standards, as well as EEC compliance directives for electromagnetic compatibility. EMI shield termination accessories are available for both overall as well as individual wire shields.

Characteristics

Design according to MIL-C-5015 and VG95234

Max torque values (full insertion):

Connector size	Torque (NM)
18	4.0
20	5.0
22	6.0
24 - 28	6.5
32	7.0
36 - 40	8.0

Temperature range: -55°C to +125°C
(F7 conductive plating).

-55°C to +125°C
(F6 non-conductive plating).

Insulation resistance: $\geq 5 \times 10^3$ M Ω min in mated conditions (with compressed interfacial seal).

Material & Finish

Metal parts:

Aluminum alloy with cadmium free conductive plating and black passivation (ROHS compliant).

Contacts:

Copper alloy with gold plating.

Insulating parts:

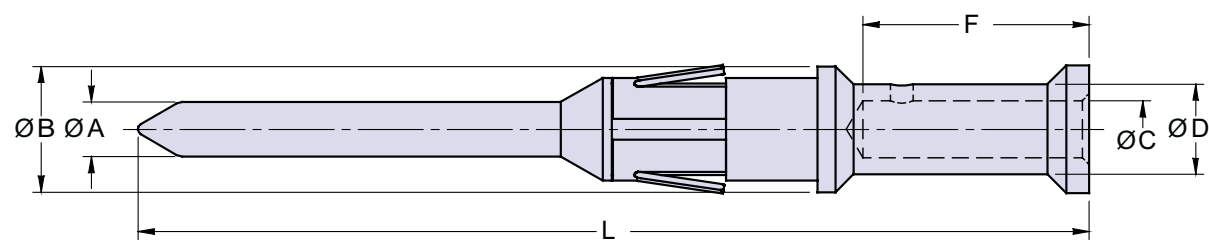
Inserts: Low fire hazard plastic UL94V0, IAW Article 3, NFF16-102 and BS6853

Gaskets: Halogen free silicone rubber
(NFF 16-102).

Contact size	Working voltage	Dielectric voltage	Creepage & air clearance distance mm min
20	220 Vac	2550 Vac	9
16	220 Vac	2550 Vac	9
12	500 Vac	3250 Vac	12
8	500 Vac	3250 Vac	12

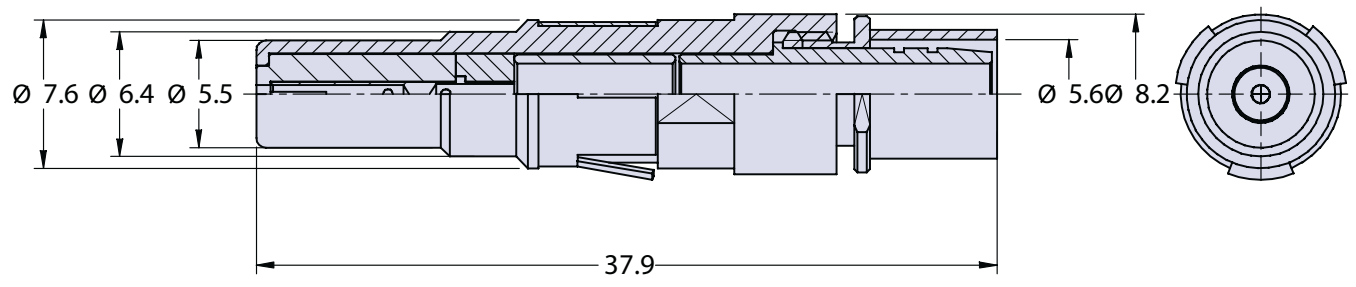


Crimped Pin Contacts



Part Number	Size	Wire gauge		ØA ±0,1	ØB +0 -0,1	ØC +0,1 -0	ØD ±0,1	F ±0,1	L ±0,2
		mm ²	AWG						
PL 570-20	20	0.15 ÷ 0.6	26 ÷ 20	1.00	2.4	1.3	2	4.5	30
PL 40557	16	1.5	16	1.57	3.7	1.7	2.6	7.9	30.9
PL 40557-12	16	0.5 ÷ 0.75	20	1.57	3.7	1.2	2.6	7.9	30.9
PL 40557-15	16	1	18	1.57	3.7	1.5	2.6	7.9	30.9
PL 40557-20	16	2	14	1.57	3.7	2	2.9	7.9	30.9
PL 40557-26	16	2.5 ÷ 3.5	12	1.57	3.7	2.5	3.8	7.9	30.9
PL 40561	12	2.5 ÷ 3.5	12	2.38	5.5	2.5	3.9	9.9	37.9
PL 40561-12	12	0.5 ÷ 0.75	20	2.38	5.5	1.2	2.6	9.9	37.9
PL 40561-20	12	1 ÷ 2	18 ÷ 14	2.38	5.5	2	3.9	9.9	37.9
PL 40561-30	12	4		2.38	5.5	3	4.8	9.9	37.9
PL 40792	8	6 ÷ 8	8	3.59	8.2	4.5	6.9	12.2	42
PL 40792-30	8	4		3.59	8.2	3	4.8	12.2	42
PL 40792-38	8	6		3.59	8.2	3.60	6.80	12.2	42
PL 40792-50	8	10		3.59	8.2	5.00	6.90	12.2	42

Size 8 Coaxial Contact



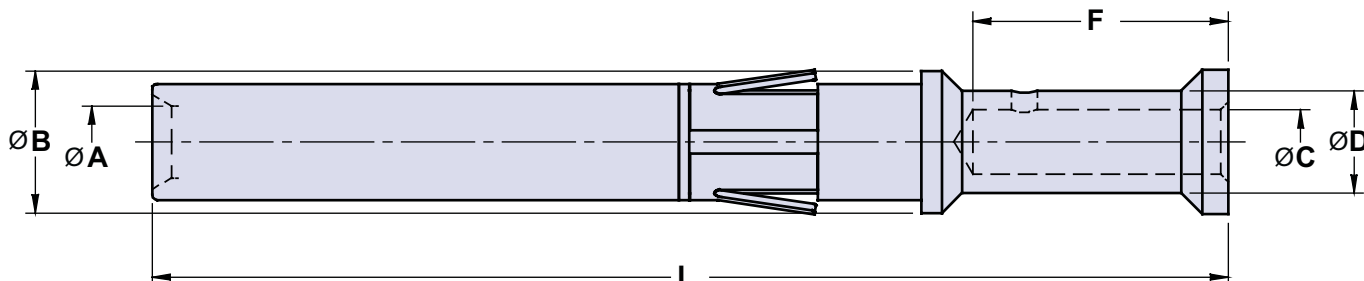
Dimensional Details

Series ITH Rigid Insert Reverse Bayonet Connectors Socket Contacts



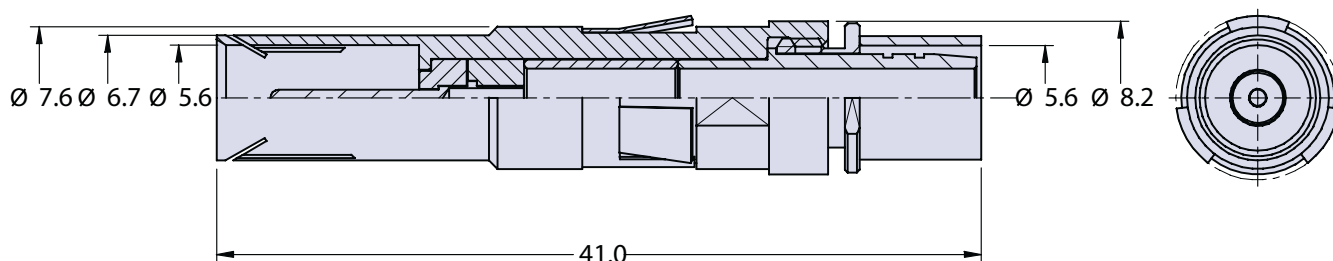
ITH
Rigid Insert
Connectors

Crimped Socket Contacts



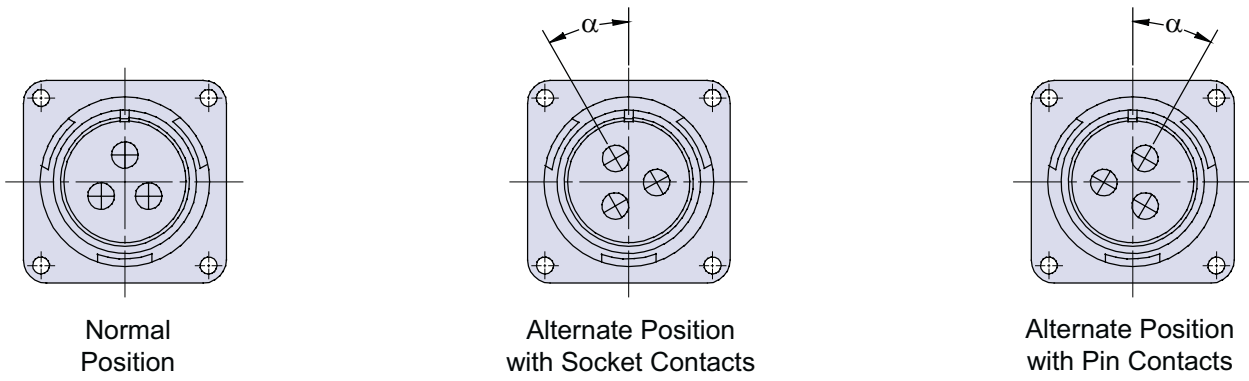
Part Number	Size	Wire gauge		ØA ±0.1	ØB +0 -0.1	ØC 0.1 -0	ØD ±0.1	F ±0.1	L ±0.2
		mm ²	AWG						
PL 40520	20	0.15 ÷ 0.6	26 ÷ 20	1.5	2.4	1.3	2	4.5	37.7
PL 40556	16	1.5	16	1.65	3.7	1.7	2.6	7.9	34.9
PL 40556-12	16	0.5 ÷ 0.75	20	1.65	3.7	1.2	2.6	7.9	34.9
PL 40556-15	16	1	18	1.65	3.7	1.5	2.6	7.9	34.9
PL 40556-20	16	2	14	1.65	3.7	2	2.9	7.9	34.9
PL 40556-26	16	2.5 ÷ 3.5	12	1.65	3.7	2.5	3.8	7.9	34.9
PL 40560	12	2.5 ÷ 3.5	12	2.45	5.5	2.5	3.9	9.9	37.9
PL 40560-12	12	0.5 ÷ 0.75	20	2.45	5.5	1.2	2.6	9.9	37.9
PL 40560-20	12	1 ÷ 2	18 ÷ 14	2.45	5.5	2	3.9	9.9	37.9
PL 40560-30	12	4		2.45	5.5	3	4.8	9.9	37.9
PL 40793	8	6 ÷ 8	8	3.65	8.2	4.5	6.9	12.2	41.8
PL 40793-30	8	4		3.65	8.2	3	4.8	12.2	41.8
PL 40793-38	8	6		3.65	8.2	3.60	6.80	12.2	41.8
PL 40793-50	8	10		3.65	8.2	5.00	6.90	12.2	41.8

Size 8 Coaxial Contact



Contact layout	Contacts				Alternative polarizations			
	8	12	16	20	Degrees α			
					W	X	Y	Z
18-19			10			120	240	
20-15		7			80			280
22-14			19		80			280
24-10	7				80			280
24-A55				55	80	110	250	280
28-21			37		80	110	250	280
32-A13		13			65	130	230	295
36-10			48		80	125	235	280
36-22		22			80	110	250	280
40-A35		35			70	130	230	290
40-A60			60		80	110	250	280
40-70			70		80	110	250	280
20-4			7		45	110	250	
20-7		8			80	110	250	280
22-23		4			35		250	

Insert Rotation (Front View of Pin Insert)

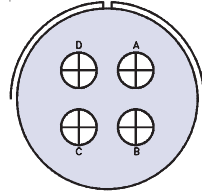


Series ITH Rigid Insert Reverse Bayonet Connectors

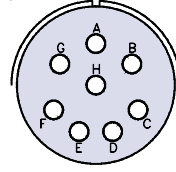
Contact Arrangements, Polarizations, and Insert Rotations



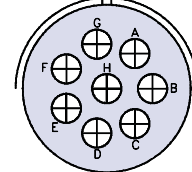
Front View of
Pin Insert
Arrangement:
Contact Size:



20-4
12

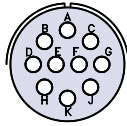


20-7
16

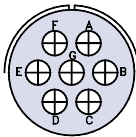


22-23
12

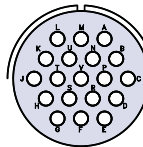
Front View of
Pin Insert
Arrangement:
Contact Size:



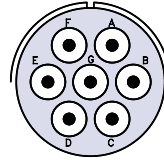
18-19
16



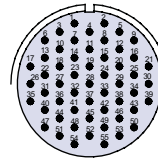
20-15
12



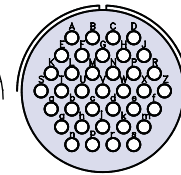
22-14
16



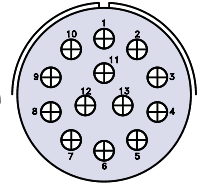
24-10
8



24-A55
20

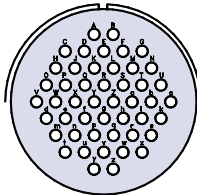


28-21
16

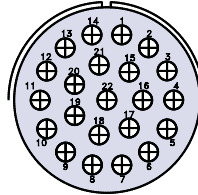


32-A13
12

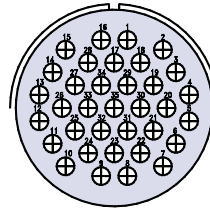
Front View of
Pin Insert
Arrangement:
Contact Size:



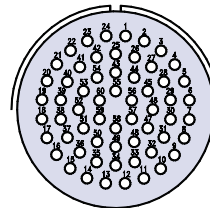
36-10
16



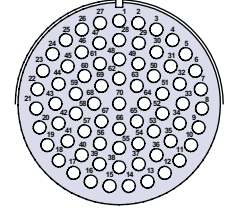
36-22
12



40-A35
12

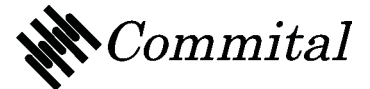


40-A60
16



40-70
16

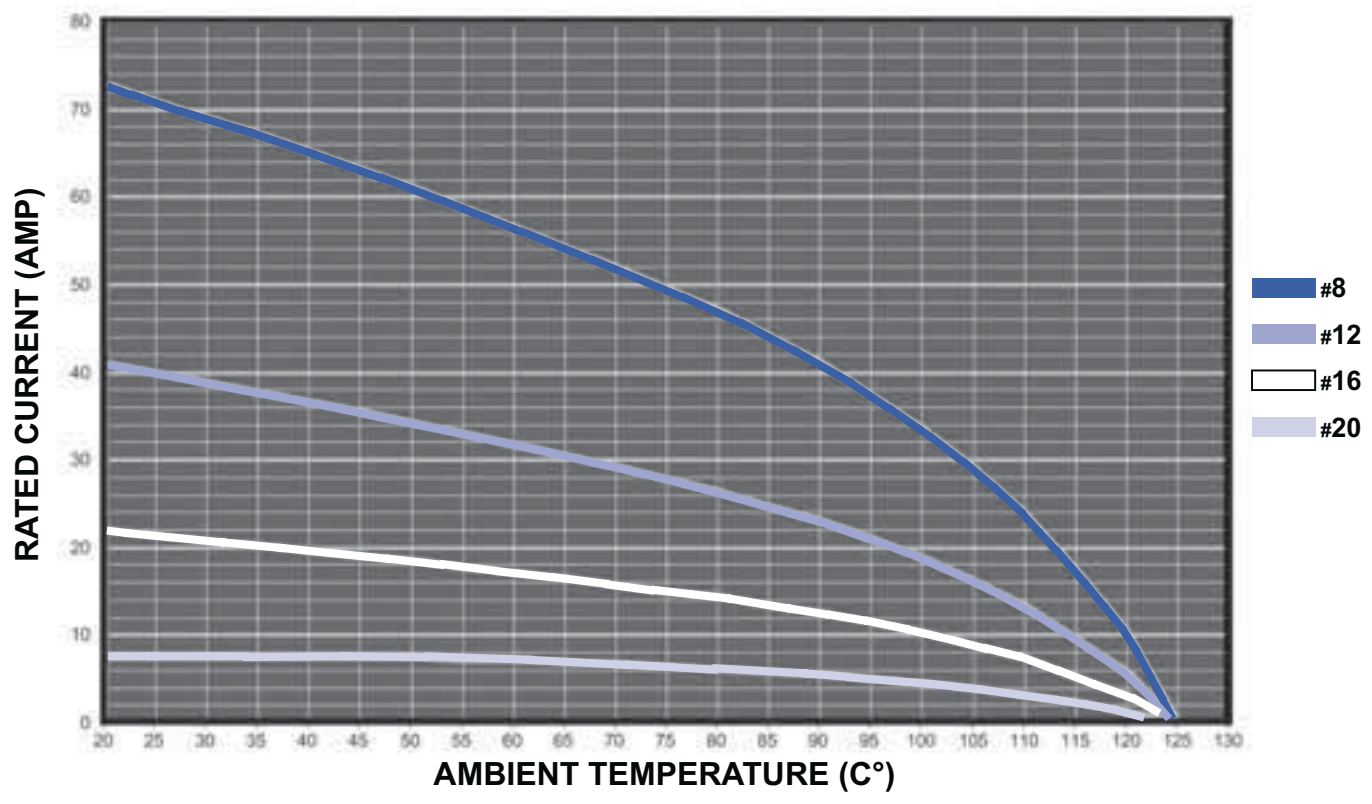
CONTACT
LEGEND





Electrical Performance
Series ITH Rigid Insert Reverse Bayonet Connectors
Rated Current

Contact size	Rated current according to NFF61-030		Max. Contact resist.
	1 contact	A II contacts	
20	10 A	5 A	3.0 mΩ
16	15 A	8 A	2.5 mΩ
12	20 A	16 A	1.3 mΩ
8	25 A	25 A	0.9 mΩ

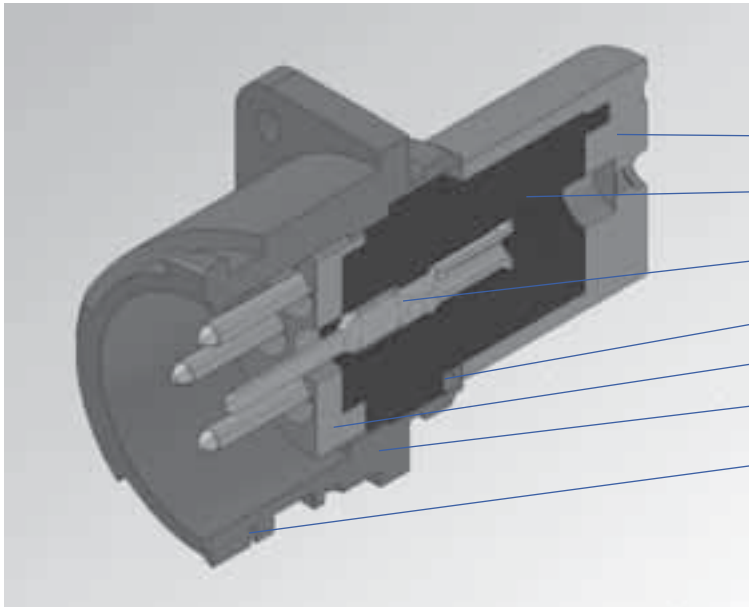


Exploded View
Series ITH Rigid Insert Reverse Bayonet Connectors
Wall Mounted Receptacle and Straight Plug



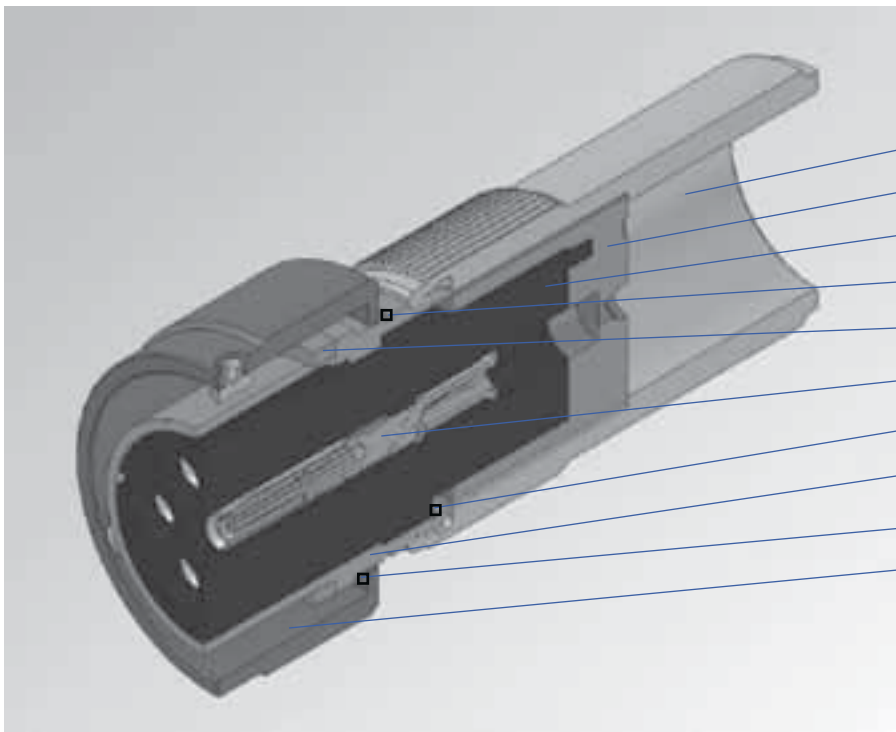
ITH
Rigid Insert
Connectors

Wall Mounted Receptacle

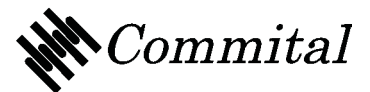


- Sealing grommet
- Pin insert
- Pin contact
- Locking seeger
- Front sealing
- Receptacle
- Stainless steel pin

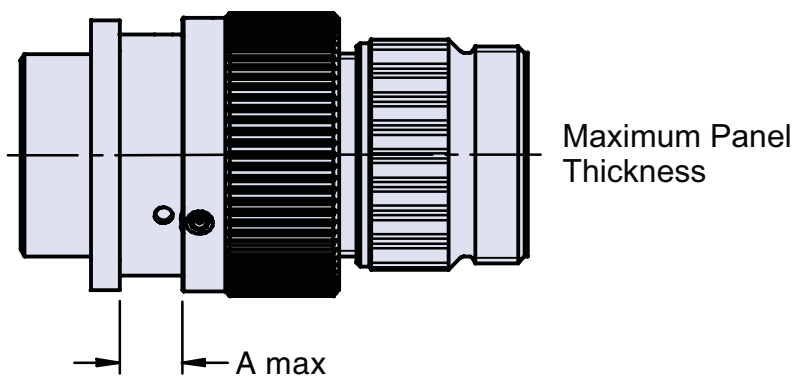
Straight Plug



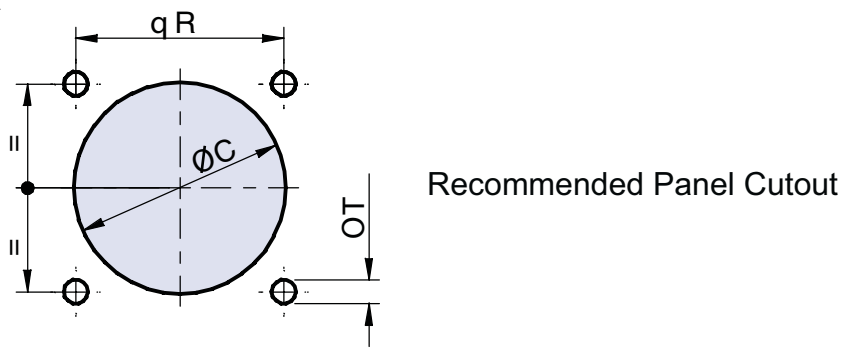
- Backshell
- Sealing grommet
- Socket insert
- Seeger for coupling nut
- Front O-Ring
- Socket contact
- Insert Retaining Ring
- Shell
- Wave washer
- Coupling nut



Series ITH Rigid Insert Reverse Bayonet Connectors Panel Cutout and Thickness Requirements



Panel thickness for type 03 FF and 030 connectors								
Shell size	18	20	22	24	28	32	36	40
A	7,50	7,50	7,50	7,50	7,50	7,50	7,50	7,50



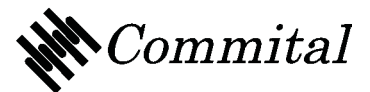
Panel cutout for type 03 FP connectors (front panel mounting)								
Shell size	18	20	22	24	28	32	36	40
ØC	26,5	30,0	33,0	36,0	42,0	48,5	55,0	61,0
R ±0,1	27,0	29,4	31,8	34,9	39,7	44,5	49,2	55,5
ØT	3,4	3,4	3,4	3,9	3,9	4,5	4,5	4,5
Panel cutout for type 03FF and 030 connectors (rear panel mounting)								
Shell size	18	20	22	24	28	32	36	40
ØC	31,7	35,0	38,3	41,8	47,6	54,3	60,5	66,4
R ±0,1	27,0	29,4	31,8	34,9	39,7	44,5	49,2	55,5
ØT	4,5	4,5	4,5	4,5	5,5	5,5	5,5	5,5

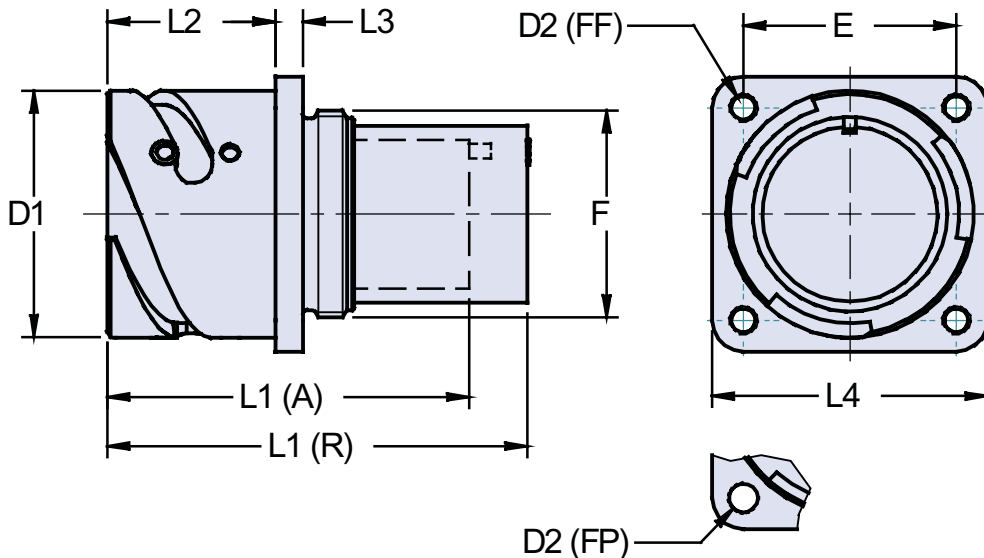
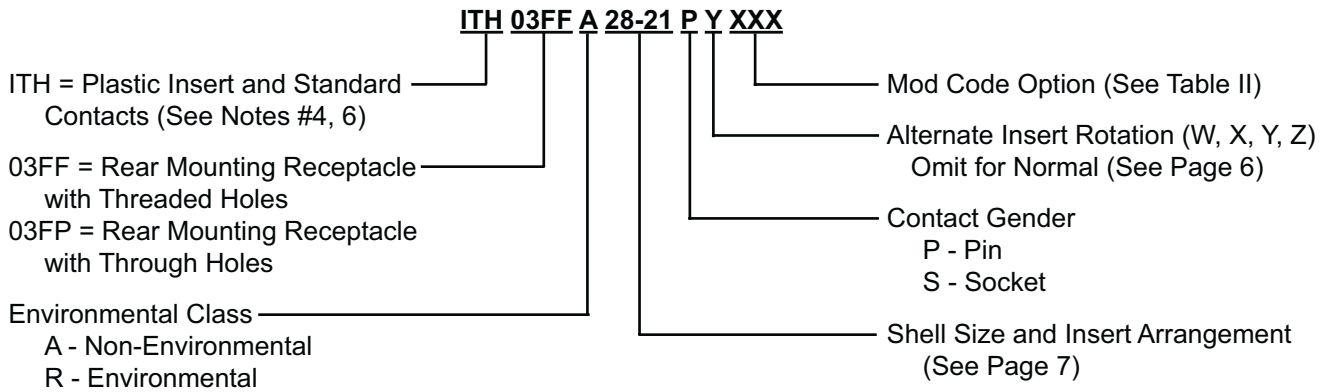


PL 607-XXP
 PL 607-XXS
 Insulating Grommet



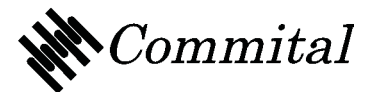
Commital Part Number		
Arrangement	Male (Pin)	Female (Socket)
20-4	PL 60720-4P	PL 60720-4S
20-7	PL 60720-7P	PL 60720-7S
22-23	PL 60722-23P	PL 60722-23S
18-19	PL 60718-19P	PL 60718-19S
20-15	PL 60720-15P	PL 60720-15S
22-14	PL 60722-14P	PL 60722-14S
24-10	PL 60724-10P	PL 60724-10S
24-A55	PL 60724-A55P	PL 60724-A55S
28-21	PL 60728-21P	PL 60728-21S
32-A13	PL 60732-A13P	PL 60732-A13S
36-10	PL 60736-10P	PL 60736-10S
36-22	PL 60736-22P	PL 60736-22S
40-A35	PL 60740-A35P	PL 60740-A35S
40-A60	PL 60740-A60P	PL 60740-A60S
40-70	PL 60740-70P	PL 60740-70S





Application Notes:

1. Box mount receptacle connector with square flange for front or rear panel mounting. Optional threaded or through mounting holes.
2. Environmental class A (non-environmental) not supplied with grommet; Class R (environmental) supplied with grommet.
3. Standard shell materials configuration consists of aluminum alloy with cadmium free conductive plating and black passivation.
4. Standard contact material consists of copper alloy with gold plating.
5. A broad range of other front and rear connector accessories are available. See our website and/or contact the factory for complete information.
6. Standard insert material is Low fire hazard plastic UL94V0, IAW Article 3,



**ITH 03FF A and ITH 03FP A
ITH 03FF R and ITH 03FP R
Box Mount Receptacle Assembly
for Rear Panel Mounting**



TABLE I: DIMENSIONS

Shell Size	D1	D2		E	F thread	L1		L2	L3	L4
	+0 -0.15	FF	FP H13	±0.1		A ±0.3	R ±0.3	+0.4 -0	±0.2	±0.3
18	30.8	M4	3.2	27.0	1.0000 - 20UNEF	50.0	58.0	23.05	4.0	35.0
20	34.2	M4	3.2	29.4	1.1250 - 18UNEF	50.0	58.0	23.05	4.0	38.0
22	37.4	M4	3.2	31.8	1.2500 - 18UNEF	50.0	58.0	23.05	4.0	41.0
24	40.9	M4	3.7	34.9	1.3750 - 18UNEF	50.0	58.0	23.05	4.0	44.5
28	46.7	M5	3.7	39.7	1.6250 - 18UNEF	50.0	58.0	24.05	4.0	50.8
32	53.4	M5	4.3	44.5	1.8750 - 16UN	50.0	58.0	24.05	4.0	57.0
36	59.6	M5	4.3	49.2	2.0625 - 16UN	50.0	58.0	24.05	4.0	63.5
40	65.5	M5	4.3	55.5	2.3125 - 16UN	50.0	58.0	24.05	4.0	69.9

TABLE II: MODIFICATION CODES

CONTACT OPTIONS	
Sym	Description
B0	Connector less contacts
Omit for standard version (Gold Plated Copper Alloy Contacts Supplied)	
FINISH OPTIONS	
Sym	Description
F2	Bright Nickel Plating
F6	Black Electrodeposited Paint
F8	Olive Drab Zn-Co Plating
Omit for standard version (Cad free / black passivation Finish)	



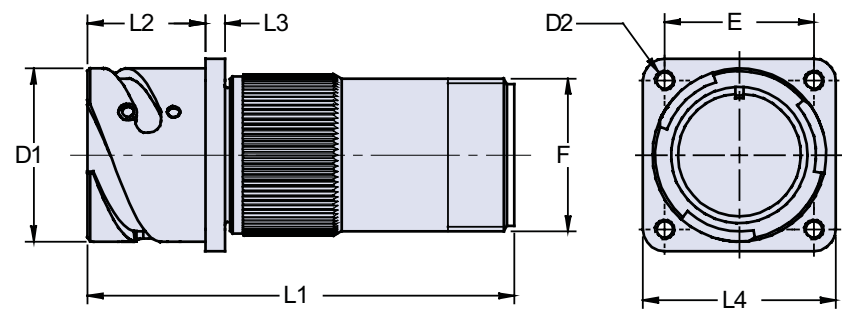


ITH 030 A and ITH 030 R
Rear Box Mount Receptacle with Accessory Backshell
and a Selection of Cable Clamps

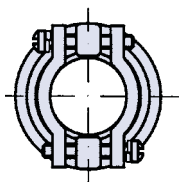
ITH 030 A 28-21 P Y XXX

ITH = Plastic Insert and Standard Contacts (See Notes #4, 6)
 030 = Rear Mounting Receptacle with Threaded Holes
 Environmental Class
 A - Non-Environmental
 R - Environmental

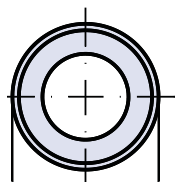
Mod Code Option (See Table II)
 Alternate Insert Rotation (W, X, Y, Z)
 Omit for Normal (See Page 6)
 Contact Gender
 P - Pin
 S - Socket
 Shell Size and Insert Arrangement (See Page 7)



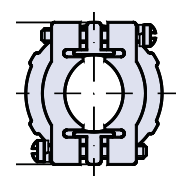
Order Cable Clamps and Sleeves Separately or Use Mod Codes (Table II) to Add Clamp to This Assembly.



IT 3057 C
Cable Clamp



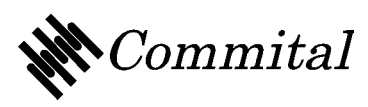
IT 3420
Neoprene Sleeve



IT 3057 A
Cable Clamp

Application Notes:

- Box mount receptacle connector with square flange for rear panel mounting and backshell for use with cable clamps or BR backshells. Threaded mounting holes.
- Environmental class A (non-environmental) not supplied with grommet; Class R (environmental) supplied with grommet.
- Standard shell materials configuration consists of aluminum alloy with cadmium free conductive plating and black passivation.
- Standard contact material consists of copper alloy with gold plating.
- A broad range of other front and rear connector accessories are available. See our website and/or contact the factory for complete information.
- Standard insert material is Low fire hazard plastic UL94V0, IAW Article 3, NFF16-102, 356833.



ITH 030 A and ITH 030 R
Rear Box Mount Receptacle with Accessory Backshell
and a Selection of Cable Clamps



TABLE I: DIMENSIONS

Shell Size	D1 +0 -0.15	D2 FF	E ±0.1	F thread	L1 Max.	L2 +0.4 -0	L3 ±0.2	L4 ±0.3
18	30.8	M4	27.0	1.0000 - 20UNEF	89.0	23.05	4.0	35.0
20	34.2	M4	29.4	1.1875 - 18UNEF	89.0	23.05	4.0	38.0
22	37.4	M4	31.8	1.1875 - 18UNEF	89.0	23.05	4.0	41.0
24	40.9	M4	34.9	1.4375 - 18UNEF	89.0	23.05	4.0	44.5
28	46.7	M5	39.7	1.4375 - 18UNEF	93.0	24.05	4.0	50.8
32	53.4	M5	44.5	1.7500 - 18UNS	93.0	24.05	4.0	57.0
36	59.6	M5	49.2	2.0000 - 18UNS	105.0	24.05	4.0	63.5
40	65.5	M5	55.5	2.2500 - 16UN	105.0	24.05	4.0	69.9

TABLE II: MODIFICATION CODES

CONTACT OPTIONS		ACCESSORY OPTIONS	
Sym	Description		
B0	Connector less contacts	N0	Connector less backshell
Omit for standard version (Gold Plated Copper Alloy Contacts Supplied)		N1	Connector with IT 3057 A cable clamp
		N5	Connector with IT 3057 C cable clamp
FINISH OPTIONS		N12	Connector with IT 3057 A cable clamp and IT 3420 neoprene sleeve
		Omit for standard version	
Sym	Description		
F2	Bright Nickel Plating		
F6	Black Electrodeposited Paint		
F8	Olive Drab Zn-Co Plating		
Omit for standard version (Cad free / black passivation Finish)			

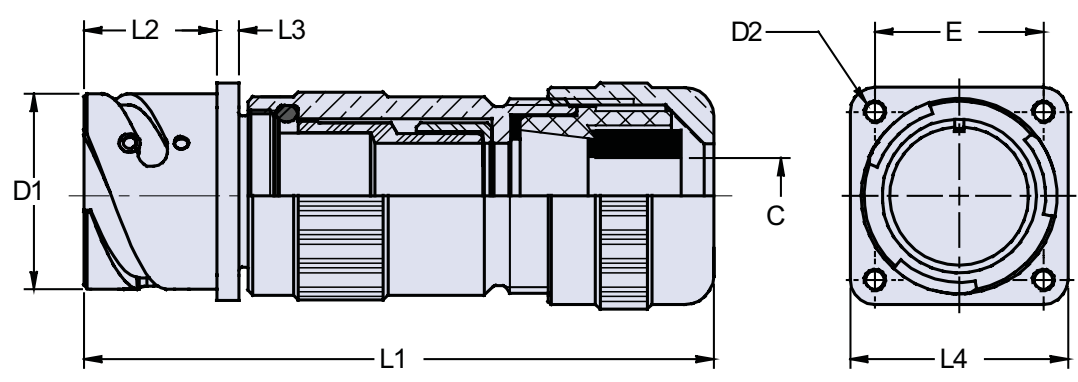




ITH 030 (EMI) and ITHC 030 (EMI) Rear Box Mount Receptacle with Backshell for EMI Shielded and Jacketed Cable

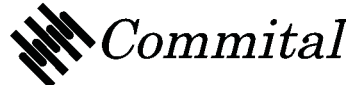
ITH 030 A 28-21 P Y EMI22 XXX

- ITH = Plastic Insert and Standard Contacts (See Notes #4, 6)
- ITHC = Plastic Insert and Hyperboloid Socket Contacts
- 030 = Rear Mounting Receptacle with Threaded Holes
- Environmental Class
 - A - Non-Environmental
 - R - Environmental
- Mod Code Option (See Table II)
- PHM-EMI Adapter
- Alternate Insert Rotation (W, X, Y, Z)
Omit for Normal (See Page 6)
- Contact Gender
 - P - Pin
 - S - Socket
- Shell Size and Insert Arrangement (See Page 7)



Application Notes:

1. Box mount receptacle connector with square flange for rear panel mounting and backshell to be used with shielded jacket cables. Threaded mounting holes.
2. Environmental class A (non-environmental) not supplied with grommet; Class R (environmental) supplied with grommet.
3. Standard shell materials configuration consists of aluminum alloy with cadmium conductive plating and black passivation.
4. Contact material consists of copper alloy with gold plating.
5. A broad range of other front and rear connector accessories are available. See our website and/or contact the factory for complete information.
6. Standard insert material is Low fire hazard plastic UL94V0, IAW Article 3, NFF16-102, 356833.



**ITH 030 (EMI) and ITHC 030 (EMI)
Rear Box Mount Receptacle
with Backshell for EMI Shielded and Jacketed Cable**



TABLE I: DIMENSIONS

Shell size	EMI size	C		D1 +0 -0.15	D2 thread	E ±0.1	L1 Max	L2 +0.4 -0	L3 ±0.2	L4 ±0.3
		Min	Max							
18	18	2.0	16.5	30.8	M4	27.0	85.0	23.05	4.0	35.0
20	18	2.0	16.5	34.2	M4	29.4	85.0	23.05	4.0	38.0
22	18	2.0	16.5	37.4	M4	31.8	85.0	23.05	4.0	41.0
24	18	2.0	16.5	40.9	M4	34.9	90.0	23.05	4.0	44.5
28	22	15.0	20.0	46.7	M5	39.7	90.0	24.05	4.0	50.8
	24	19.0	24.0							
32	22	15.0	20.0	53.4	M5	44.5	100.0	24.05	4.0	57.0
	24	19.0	24.0							
36	35	23.0	35.0	59.6	M5	49.2	110.0	24.05	4.0	63.5
40	35	23.0	35.0	65.5	M5	55.5	110.0	24.05	4.0	69.9

TABLE II: MODIFICATION CODES

CONTACT OPTIONS	
Sym	Description
B0	Connector less contacts
Omit for standard version (Gold Plated Copper Alloy Contacts Supplied)	
FINISH OPTIONS	
Sym	Description
F2	Bright Nickel Plating
F6	Black Electrodeposited Paint
F8	Olive Drab Zn-Co Plating
Omit for standard version (Cad free / black passivation Finish)	

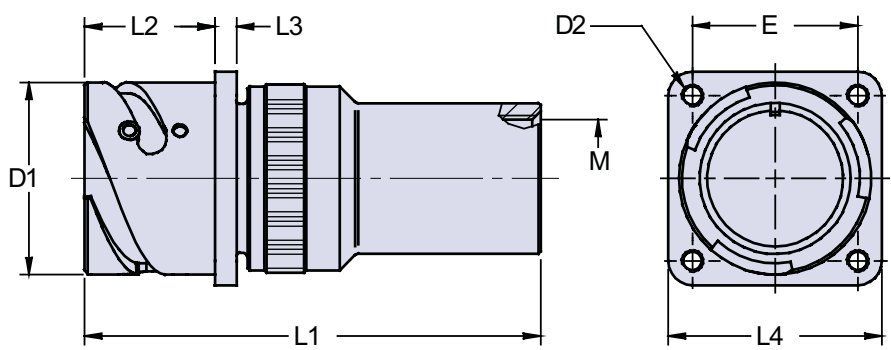




ITH 030 A (M) Rear Panel Box Mount Receptacle with Metric Thread Cable Gland Backshell

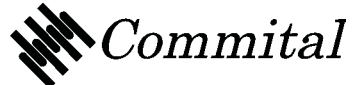
ITH 030 A 20-27 P Y M32x1.5 XXX

<p>ITH = Plastic Insert and Standard Contacts (See Notes #4, 6)</p> <p>030 = Rear Mounting Receptacle with Threaded Holes</p> <p>Environmental Class A - Non-Environmental R - Environmental</p> <p>Shell Size and Insert Arrangement (See Page 7)</p>	<p>Mod Code Option (See Table II)</p> <p>Metric Thread Size</p> <p>Alternate Insert Rotation (W, X, Y, Z) Omit for Normal (See Page 6)</p> <p>Contact Gender P - Pin S - Socket</p>
--	---



Application Notes:

1. Rear panel box mount receptacle with metric thread cable gland backshell. Threaded mounting holes.
2. Environmental class A (non-environmental) not supplied with grommet; Class R (environmental) supplied with grommet.
3. Standard shell materials configuration consists of aluminum alloy with cadmium free conductive plating and black passivation.
4. Standard contact material consists of copper alloy with gold plating.
5. A broad range of other front and rear connector accessories are available. See our website and/or contact the factory for complete information.
6. Standard insert material is Low fire hazard plastic UL94V0, IAW Article 3, NFF16-102, 356833.
7. Metric cable glands not included.



**ITH 030 A (M)
Rear Panel Box Mount Receptacle
with Metric Thread Cable Gland Backshell**



TABLE I: DIMENSIONS

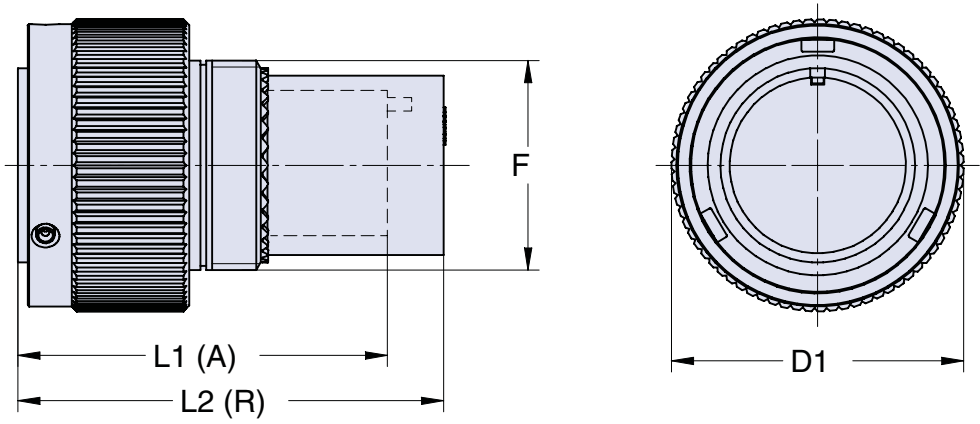
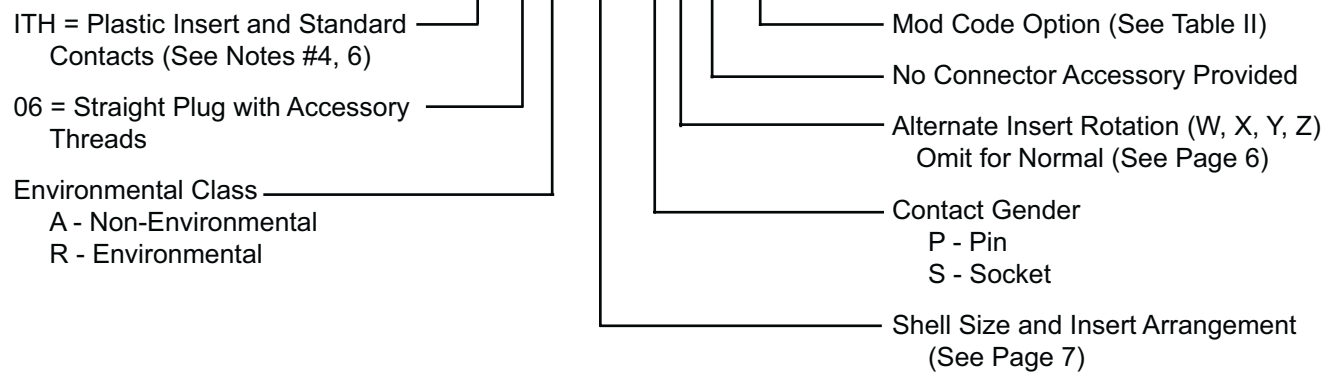
Shell Size	D1 +0 -0.15	D2 FF	E ±0.1	M thread	L1 Max.	L2 +0.4 -0	L3 ±0.2	L4 ±0.3
18	30.8	M4	27.0	M20x1.5	89.0	23.05	4.0	35.0
20	34.2	M4	29.4	M25x1.5	89.0	23.05	4.0	38.0
22	37.4	M4	31.8	M25x1.5	89.0	23.05	4.0	41.0
24	40.9	M4	34.9	M32x1.5	89.0	23.05	4.0	44.5
28	46.7	M5	39.7	M32x1.5	93.0	24.05	4.0	50.8
32	53.4	M5	44.5	M36x1.5	93.0	24.05	4.0	57.0
36	59.6	M5	49.2	M40x1.5	105.0	24.05	4.0	63.5
40	65.5	M5	55.5	M48x1.5	105.0	24.05	4.0	69.9

TABLE II: MODIFICATION CODES

CONTACT OPTIONS	
Sym	Description
B0	Connector less contacts
Omit for standard version (Gold Plated Copper Alloy Contacts Supplied)	
FINISH OPTIONS	
Sym	Description
F2	Bright Nickel Plating
F6	Black Electrodeposited Paint
F8	Olive Drab Zn-Co Plating
Omit for standard version (Cad free / black passivation Finish)	



ITH 06 A 28-21 P Y NO XXX



Application Notes:

1. Straight Plug connector with accessory threads for the mounting of available backshells and cable clamps.
2. Environmental class A (non-environmental) not supplied with grommet; Class R (environmental) supplied with grommet.
3. Standard shell materials configuration consists of aluminum alloy with cadmium free conductive plating and black passivation.
4. Standard contact material consists of copper alloy with gold plating.
5. A broad range of front and rear connector accessories are available. See our website and/or contact the factory for complete information.
6. Standard insert material is Low fire hazard plastic UL94V0, IAW Article 3, NFF16-102, 356833.

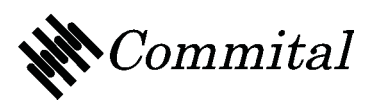


TABLE I: DIMENSIONS

Shell size	D1 ±0.2	F thread	L1	
			A ±0.3	R ±0.3
18	36.2	1.0000 - 20UNEF	50.0	58.0
20	39.8	1.1250 - 18UNEF	50.0	58.0
22	43.0	1.2500 - 18UNEF	50.0	58.0
24	46.4	1.3750 - 18UNEF	50.0	58.0
28	53.0	1.6250 - 18UNEF	50.0	58.0
32	60.0	1.8750 - 16UN	50.0	58.0
36	66.2	2.0625 - 16UN	50.0	58.0
40	72.3	2.3125 - 16UN	50.0	58.0

TABLE II: MODIFICATION CODES

CONTACT OPTIONS	
Sym	Description
B0	Connector less contacts
Omit for standard version (Gold Plated Copper Alloy Contacts Supplied)	
FINISH OPTIONS	
Sym	Description
F2	Bright Nickel Plating
F6	Black Electrodeposited Paint
F8	Olive Drab Zn-Co Plating
Omit for standard version (Cad free / black passivation Finish)	

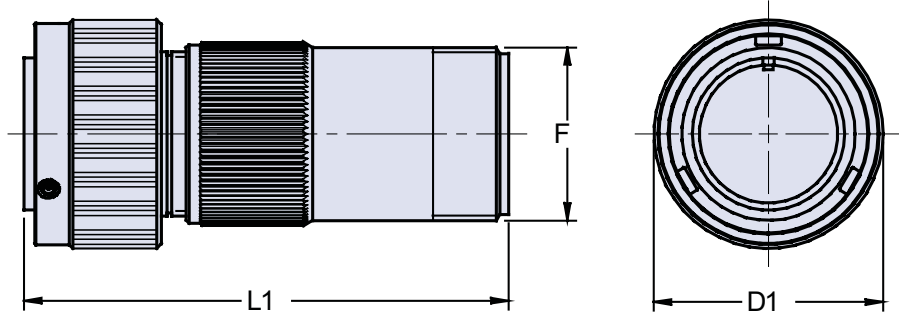




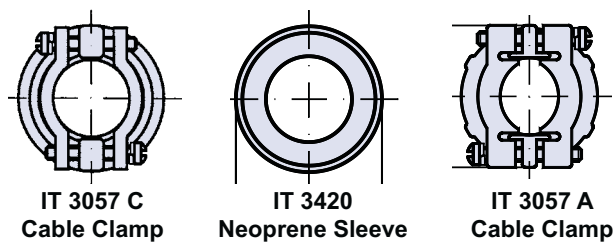
ITH 06 A and ITH 06 R Straight Plug with Accessory Backshell and a Selection of Cable Clamps

ITH G 06 A 28-21 P Y XXX

<p>ITH = Plastic Insert and Standard Contacts (See Notes #4, 6)</p> <p>Grounding Fingers (Omit for Standard)</p> <p>06 = Straight Plug</p> <p>Environmental Class A - Non-Environmental R - Environmental</p>	<p>Mod Code Option (See Table II)</p> <p>Alternate Insert Rotation (W, X, Y, Z) Omit for Normal (See Page 6)</p> <p>Contact Gender P - Pin S - Socket</p> <p>Shell Size and Insert Arrangement (See Page 7)</p>
---	---

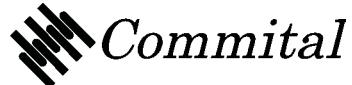


Order Cable Clamps and Sleeves Separately or Use Mod Codes (Table II) to Add Clamp to This Assembly.



Application Notes:

1. Straight plug connector with backshell for use with strain-relief cable clamps.
2. Environmental class A (non-environmental) not supplied with grommet; Class R (environmental) supplied with grommet.
3. Standard shell materials configuration consists of aluminum alloy with cadmium free conductive plating and black passivation.
4. Standard contact material consists of copper alloy with gold plating.
5. A broad range of other front and rear connector accessories are available. See our website and/or contact the factory for complete information.
6. Standard insert material is Low fire hazard plastic UL94V0, IAW Article 3, NFF16-102, 356833.



**ITH 06 A and ITH 06 R
Sraight Plug with Accessory Backshell
and a Selection of Cable Clamps**



TABLE I: DIMENSIONS

Shell size	D1 ±0.2	F thread	L1 Max.
18	36.2	1.0000 - 20UNEF	89.0
20	39.8	1.1875 - 18UNEF	89.0
22	43.0	1.1875 - 18UNEF	89.0
24	46.4	1.4375 - 18UNEF	89.0
28	53.0	1.4375 - 18UNEF	93.0
32	60.0	1.7500 - 18UNS	93.0
36	66.2	2.0000 - 18UNS	105.0
40	72.3	2.2500 - 16UN	105.0

TABLE II: MODIFICATION CODES

CONTACT OPTIONS		ACCESSORY OPTIONS	
Sym	Description		
B0	Connector less contacts	N0	Connector less backshell
Omit for standard version (Gold Plated Copper Alloy Contacts Supplied)		N1	Connector with IT 3057 A cable clamp
		N5	Connector with IT 3057 C cable clamp
FINISH OPTIONS		N12	Connector with IT 3057 A cable clamp and IT 3420 neoprene sleeve
		Omit for standard version	
F2	Bright Nickel Plating		
F6	Black Electrodeposited Paint		
F8	Olive Drab Zn-Co Plating		
Omit for standard version (Cad free / black passivation Finish)			

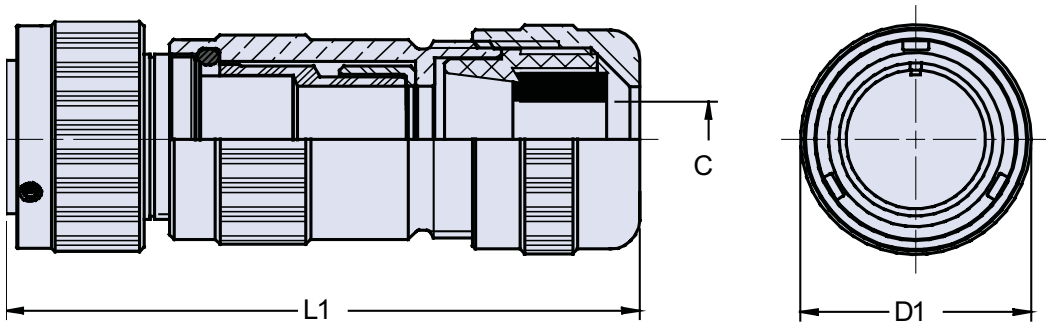




ITH 06 A (EMI)
Straight Plug Connector
with Backshell for EMI Shielded and Jacketed Cable

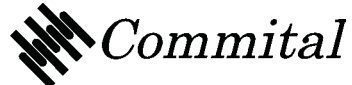
ITH G 06 A 28-21 P Y EMI22 XXX

- ITH = Plastic Insert and Standard Contacts (See Notes #4, 6)
- Grounding Fingers (Omit for Standard)
- 06 = Straight Plug
- Environmental Class
A = Non-Environmental
- Shell Size and Insert Arrangement (See Page 7)
- Mod Code Option (See Table II)
- PHM-EMI Adapter
- Alternate Insert Rotation (W, X, Y, Z)
Omit for Normal (See Page 6)
- Contact Gender
P - Pin
S - Socket



Application Notes:

1. Straight plug connector with backshell to be used with shielded and jacketed cables.
2. Environmental class A (non-environmental) not supplied with grommet.
3. Standard shell materials configuration consists of aluminum alloy with cadmium free conductive plating and black passivation.
4. Standard contact material consists of copper alloy with gold plating.
5. A broad range of other front and rear connector accessories are available. See our website and/or contact the factory for complete information.
6. Standard insert material is Low fire hazard plastic UL94V0, IAW Article 3, NFF16-102, 356833.



**ITH 06 A (EMI)
Straight Plug Connector
with Backshell for EMI Shielded and Jacketed Cable**



TABLE I: DIMENSIONS

Shell size	EMI size	C		D1 ±0.2	L1 Max
		Min	Max		
18	18	2.0	16.5	36.2	85.0
20	18	2.0	16.5	39.8	85.0
22	18	2.0	16.5	43.0	85.0
24	18	2.0	16.5	46.4	90.0
28	22	15.0	20.0	53.0	90.0
	24	19.0	24.0		
32	22	15.0	20.0	60.0	100.0
	24	19.0	24.0		
36	35	23.0	35.0	66.2	110.0
40	35	23.0	35.0	72.3	110.0

TABLE II: MODIFICATION CODES

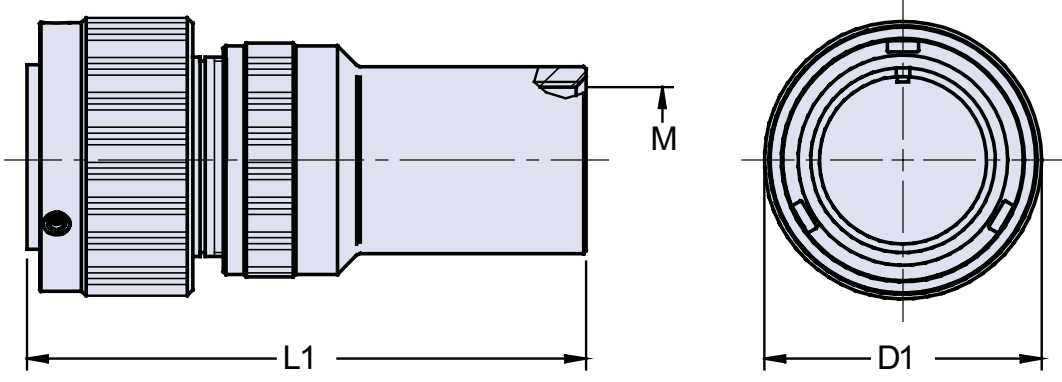
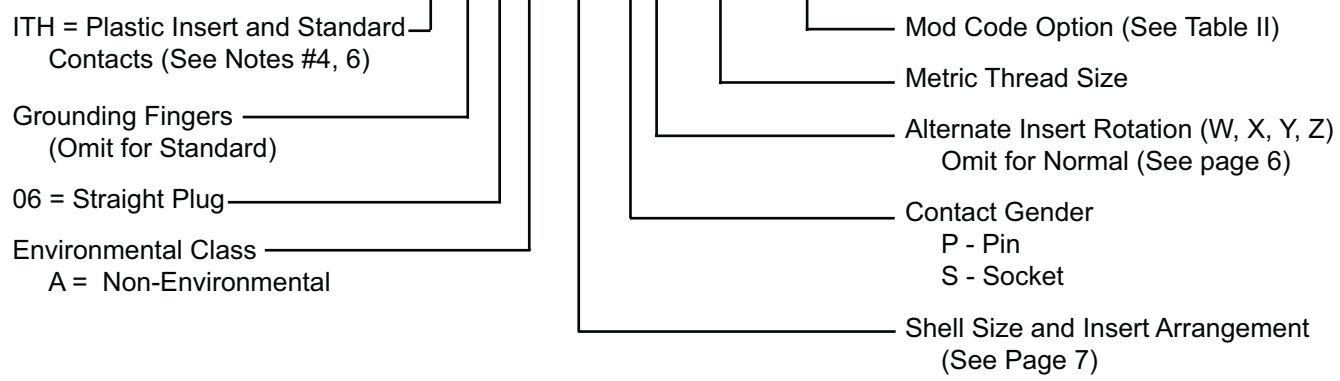
CONTACT OPTIONS	
Sym	Description
B0	Connector less contacts
Omit for standard version (Gold Plated Copper Alloy Contacts Supplied)	
FINISH OPTIONS	
Sym	Description
F2	Bright Nickel Plating
F6	Black Electrodeposited Paint
F8	Olive Drab Zn-Co Plating
Omit for standard version (Cad free / black passivation Finish)	





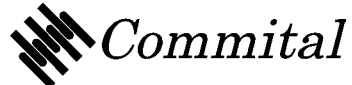
ITH 06 A (M)
Straight Plug Connector
with Metric Thread Cable Gland Backshell

ITH G 06 A 20-21 P Y M32x1.5 XXX



Application Notes:

1. Straight plug connector with metric thread cable gland backshell.
2. Environmental class A (non-environmental) not supplied with grommet.
3. Standard shell materials configuration consists of aluminum alloy with cadmium free conductive plating and black passivation.
4. Standard contact material consists of copper alloy with gold plating.
5. A broad range of other front and rear connector accessories are available. See our website and/or contact the factory for complete information.
6. Standard insert material is Low fire hazard plastic UL94V0, IAW Article 3, NFF16-102, 356833.
7. Metric cable glands not included.



**ITH 06 A (M)
Straight Plug Connector
with Metric Thread Cable Gland Backshell**



TABLE I: DIMENSIONS

Shell size	D1 ±0.2	M thread	L1 Max.
18	36.2	M20x1.5	89.0
20	39.8	M25x1.5	89.0
22	43.0	M25x1.5	89.0
24	46.4	M32x1.5	89.0
28	53.0	M32x1.5	93.0
32	60.0	M36x1.5	93.0
36	66.2	M40x1.5	105.0
40	72.3	M48x1.5	105.0

TABLE II: MODIFICATION CODES

CONTACT OPTIONS	
Sym	Description
B0	Connector less contacts
Omit for standard version (Gold Plated Copper Alloy Contacts Supplied)	
FINISH OPTIONS	
Sym	Description
F2	Bright Nickel Plating
F6	Black Electrodeposited Paint
F8	Olive Drab Zn-Co Plating
Omit for standard version (Cad free / black passivation Finish)	





ITH 08 A and ITH 08 R
90° Plug Connector with Accessory Backshell
and a Selection of Cable Clamps

ITH G 08 A 28-21 P Y XXX

ITH = Plastic Insert and Standard
Contacts (See Notes #4, 6)

Grounding Fingers
(Omit for Standard)

08 = 90° Angle Plug

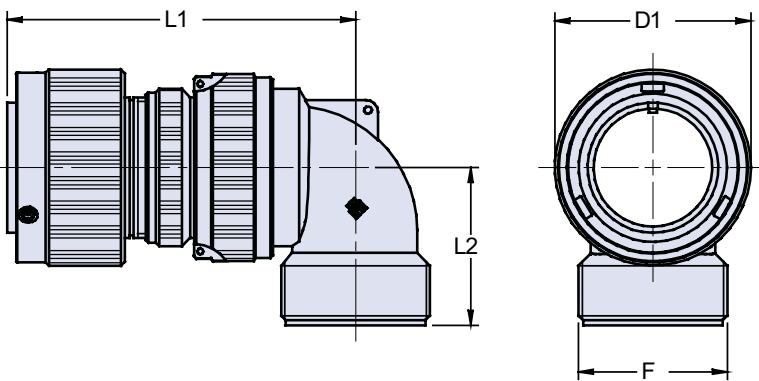
Environmental Class
A = Non-Environmental
R = Environmental

Mod Code Option (See Table II)

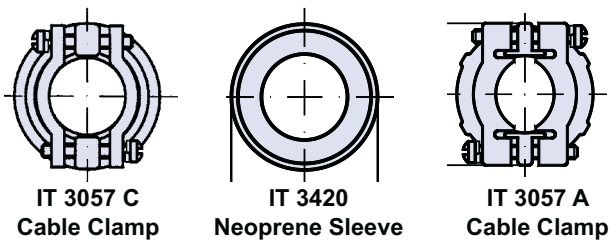
Alternate Insert Rotation (W, X, Y, Z)
Omit for Normal (See Page 6)

Contact Gender
P - Pin
S - Socket

Shell Size and Insert Arrangement
(See Page 7)

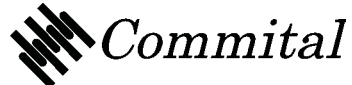


Order Cable Clamps and
Sleeves Separately or Use
Mod Codes (Table II) to Add
Clamp to This Assembly.



Application Notes:

1. 90° plug connector with backshell for cable clamps or BR backshells.
2. Environmental class A (non-environmental) not supplied with grommet; Class R (environmental) supplied with grommet.
3. Standard shell materials configuration consists of aluminum alloy with cadmium free conductive plating and black passivation.
4. Standard contact material consists of copper alloy with gold plating.
5. A broad range of other front and rear connector accessories are available. See our website and/or contact the factory for complete information.
6. Standard insert material is Low fire hazard plastic UL94V0, IAW Article 3, NFF16-102, 356833.



**ITH 08 A and ITH 08 R
90° Plug Connector with Accessory Backshell
and a Selection of Cable Clamps**



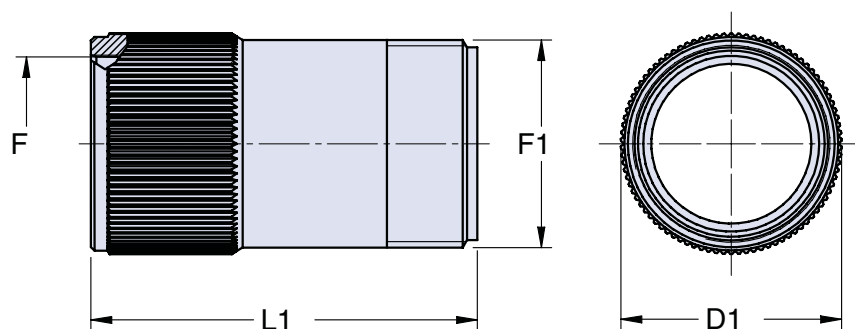
TABLE I: DIMENSIONS

Shell size	D1 ±0.2	F thread	L1 Max.	L2 ±0.2
18	36.2	1.0000 - 20UNEF	70.0	30.0
20	39.8	1.1875 - 18UNEF	75.0	32.0
22	43.0	1.1875 - 18UNEF	75.0	32.0
24	46.4	1.4375 - 18UNEF	80.0	37.0
28	53.0	1.4375 - 18UNEF	80.0	38.0
32	60.0	1.7500 - 18UNS	85.0	45.5
36	66.2	2.0000 - 18UNS	90.0	47.2
40	72.3	2.2500 - 16UN	95.0	52.0

TABLE II: MODIFICATION CODES

CONTACT OPTIONS		ACCESSORY OPTIONS	
Sym	Description		
B0	Connector less contacts	N0	Connector less backshell
Omit for standard version (Gold Plated Copper Alloy Contacts Supplied)		N1	Connector with IT 3057 A cable clamp
		N5	Connector with IT 3057 C cable clamp
Omit for standard version (Cad free / black passivation Finish)		N12	Connector with IT 3057 A cable clamp and IT 3420 neoprene sleeve
		Omit for standard version	
Sym	Description		
F2	Bright Nickel Plating		
F6	Black Electrodeposited Paint		
F8	Olive Drab Zn-Co Plating		





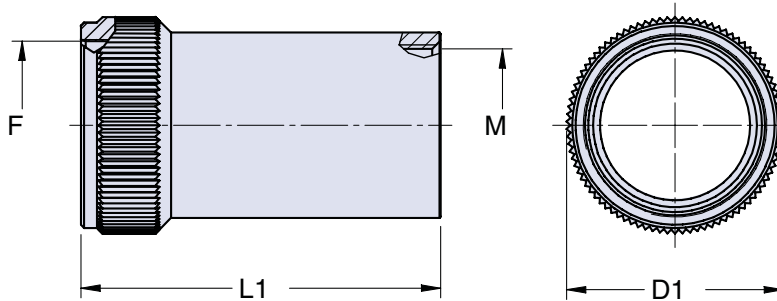
Commital P.N.	Shell Size	D ±0.2	F thread	F1 thread	L1 Max.
PL 37267-18	18	29.5	1.0000 - 20UNEF	1.0000 - 20UNEF	56.0
PL 37267-20	20	32.0	1.1250 - 18UNEF	1.1875 - 18UNEF	56.0
PL 37267-22	22	35.0	1.2500 - 18UNEF	1.1875 - 18UNEF	56.0
PL 37267-24	24	38.5	1.3750 - 18UNEF	1.4375 - 18UNEF	56.0
PL 37267-28	28	45.0	1.6250 - 18UNEF	1.4375 - 18UNEF	61.0
PL 37267-32	32	53.2	1.8750 - 16UN	1.7500 - 18UNS	61.0
PL 37267-36	36	56.2	2.0625 - 16UN	2.0000 - 18UNS	75.0
PL 37267-40	40	64.0	2.3125 - 16UN	2.2500 - 16UN	76.4

Application Notes:

1. Backshell adapter for the attachment of IT3057-XXA/C cable clamps or BR backshells.
2. Standard materials configuration consists of aluminum alloy with cadmium free conductive finish and black passivation.
3. Other types of front and rear connector accessories are available.
See our website and/or contact the factory for complete information.



PL 37267-XXM
Metric Adapter



Commital P.N.	Shell Size	D1 ±0.2	F thread	M thread	L1 Max.
PL 37267-18M20x1.5	18	29.5	1.0000 - 20UNEF	M20x1.5	56.0
PL 37267-20M25x1.5	20	32.0	1.1250 - 18UNEF	M25x1.5	56.0
PL 37267-22M25x1.5	22	35.0	1.2500 - 18UNEF	M25x1.5	56.0
PL 37267-24M32x1.5	24	38.5	1.3750 - 18UNEF	M32x1.5	56.0
PL 37267-28M32x1.5	28	45.0	1.6250 - 18UNEF	M32x1.5	61.0
PL 37267-32M36x1.5	32	53.2	1.8750 - 16UN	M36x1.5	61.0
PL 37267-36M40x1.5	36	56.2	2.0625 - 16UN	M40x1.5	75.0
PL 37267-40M50x1.5	40	64.0	2.3125 - 16UN	M50x1.5	76.4

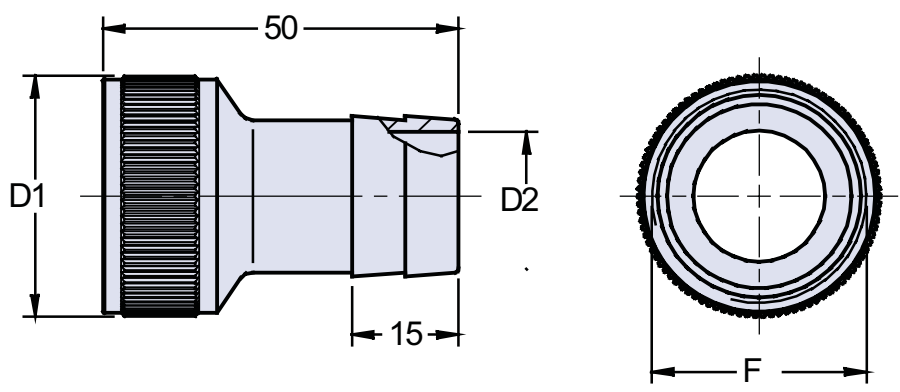
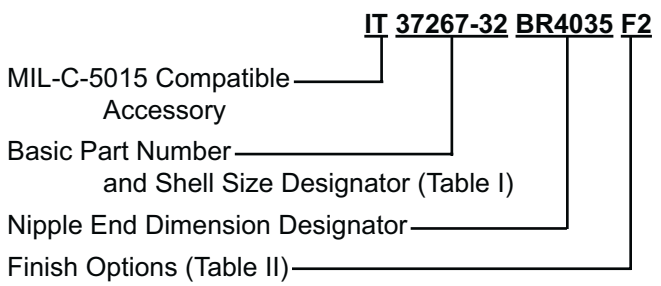
Application Notes:

1. Backshell adapter for the attachment of metric thread cable glands.
2. Standard materials configuration consists of aluminum alloy with cadmium free conductive finish and black passivation.
3. Other types of front and rear connector accessories are available.
See our website and/or contact the factory for complete information.



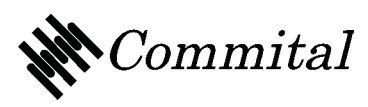


**IT 37267-BRXXX
BR Adapter
for Termination of UNI4883 Rubber Conduit**



Application Notes:

1. Backshell for the attachment of UNI4883 type rubber conduit.
2. Standard materials configuration consists of aluminum alloy with cadmium free conductive finish and black passivation.
3. Other types of front and rear connector accessories are available. See our website and/or contact the factory for complete information.



IT 37267-BRXXX
BR Adapter
for Termination of UNI4883 Rubber Conduit



ITH
Rigid Insert
Connectors

TABLE I: PART NUMBER AND CONNECTOR SIZE DESIGNATOR

Part Number	Shell size	F thread	D1 -0.2	D2 -0.1
IT 37267-18BR2722	18	1.0000 - 20UNEF	30.0	20.5
IT 37267-20BR1712	20 - 22	1.1875 - 18UNEF	34.0	10.5
IT 37267-20BR2722	20 - 22	1.1875 - 18UNEF	34.0	20.5
IT 37267-20BR2833	20 - 22	1.1875 - 18UNEF	42.0	31.5
IT 37267-28BR2520	24 - 28	1.4375 - 18UNEF	45.0	16.5
IT 37267-28BR2722	24 - 28	1.4375 - 18UNEF	45.0	20.5
IT 37267-28BR3126	24 - 28	1.4375 - 18UNEF	45.0	22.5
IT 37267-28BR3328	24 - 28	1.4375 - 18UNEF	45.0	26.5
IT 37267-28BR3530	24 - 28	1.4375 - 18UNEF	45.0	26.5
IT 37267-28BR3833	24 - 28	1.4375 - 18UNEF	45.0	31.5
IT 37267-28BR5045	24 - 28	1.4375 - 18UNEF	45.0	36.2
IT 37267-32BR3126	32	1.7500 - 18UNS	53.0	24.5
IT 37267-32BR3328	32	1.7500 - 18UNS	53.0	26.5
IT 37267-32BR3833	32	1.7500 - 18UNS	53.0	31.5
IT 37267-32BR4035	32	1.7500 - 18UNS	53.0	31.5
IT 37267-32BR5045	32	1.7500 - 18UNS	53.0	40.0
IT 37267-36BR3530	36	2.0000 - 18UNS	57.4	26.5
IT 37267-36BR3833	36	2.0000 - 18UNS	57.4	31.5
IT 37267-36BR4035	36	2.0000 - 18UNS	57.4	31.5
IT 37267-36BR5045	36	2.0000 - 18UNS	57.4	43.5
IT 37267-40BR4136	40	2.2500 - 16UN	63.0	31.5
IT 37267-40BR4540	40	2.2500 - 16UN	63.0	38.5
IT 37267-40BR5045	40	2.2500 - 16UN	63.0	43.5
IT 37267-40BR5550	40	2.2500 - 16UN	63.0	48.5

TABLE II: MODIFICATION CODES

FINISH OPTIONS	
Sym	Description
F2	Bright Nickel Plating
F6	Black Electrodeposited Paint
F8	Olive Drab Zn-Co Plating
Omit for standard version (See Note 2)	



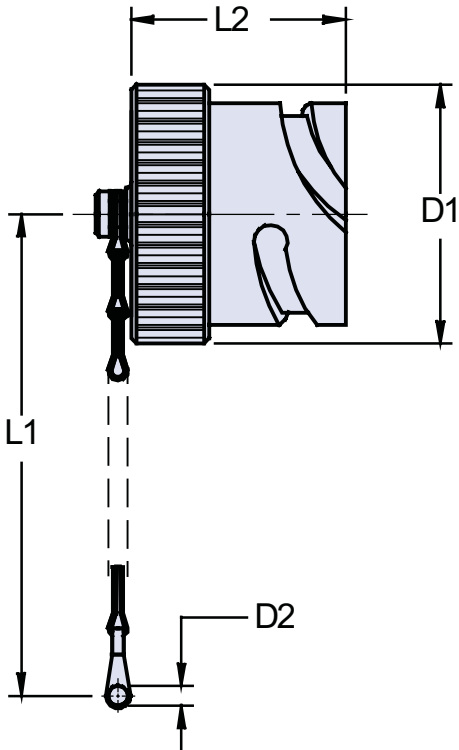
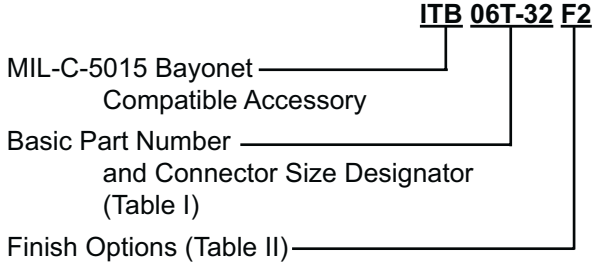


TABLE I: PART NUMBER AND CONNECTOR SIZE DESIGNATOR

Part Number	D1 Max.	D2 +0.6 -0	L1 min.	L2 Max.
ITB 06T - 18	33.5	4.3	115	37
ITB 06T - 20	37.0	4.7	130	37
ITB 06T - 22	40.0	4.7	130	37
ITB 06T - 24	43.5	4.7	130	37
ITB 06T - 28	49.5	4.7	190	37
ITB 06T - 32	56.0	5.5	190	37
ITB 06T - 36	62.5	5.5	190	37
ITB 06T - 40	73.0	5.5	190	37

TABLE II: MODIFICATION CODES

FINISH OPTIONS	
Sym	Description
F2	Bright Nickel Plating
F6	Black Electrodeposited Paint
F8	Olive Drab Zn-Co Plating
Omit for standard version (See Note 2)	

Metal cap with stainless steel chain.

Application Notes:

1. Metal protective cover for bayonet plug connectors with stainless steel chain.
2. Standard materials configuration consists of aluminum alloy with cadmium free conductive finish and black passivation.
3. Other types of front and rear connector accessories are available.
See our website and/or contact the factory for complete information.



ITB 02T-XX Receptacle Connector Cap with Stainless Steel Chain



ITB 02T-18 F2

MIL-C-5015 Bayonet
Compatible Accessory

Basic Part Number
and Connector Size Designator
(Table I)

Finish Options (Table II)

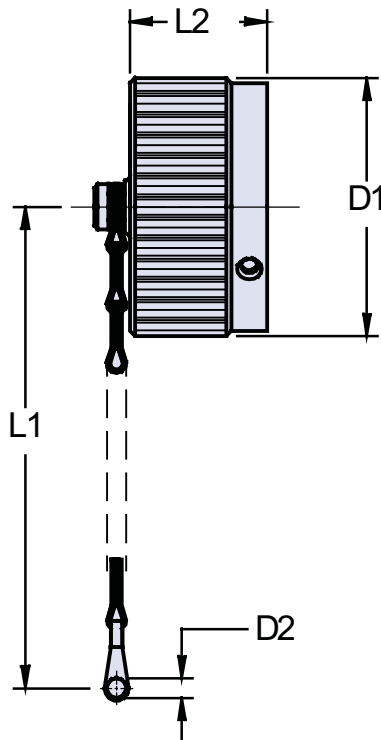


TABLE I: PART NUMBER AND CONNECTOR SIZE DESIGNATOR

Part Number	D1 Max.	D2 +0.6 -0	L1 min.	L2 Max.
ITB 02T - 18	37.5	4.3	100	21.2
ITB 02T - 20	41.0	4.3	115	21.2
ITB 02T - 22	44.0	4.3	115	21.2
ITB 02T - 24	47.5	4.3	115	21.2
ITB 02T - 28	54.5	5.5	160	21.2
ITB 02T - 32	61.0	5.5	160	21.2
ITB 02T - 36	67.5	5.5	160	21.2
ITB 02T - 40	72.3	5.5	160	21.2

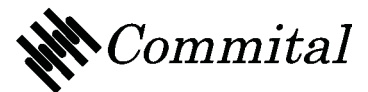
TABLE II: MODIFICATION CODES

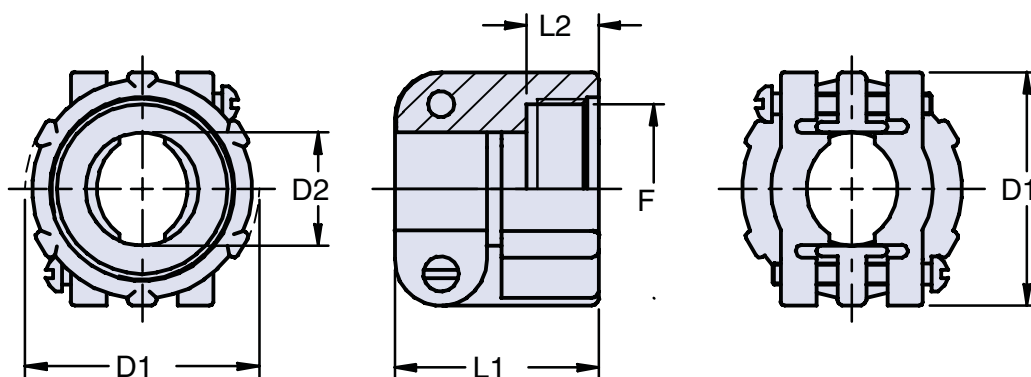
FINISH OPTIONS	
Sym	Description
F2	Bright Nickel Plating
F6	Black Electrodeposited Paint
F8	Olive Drab Zn-Co Plating
Omit for standard version (See Note 2)	

Metal cap with stainless steel chain.

Application Notes:

1. Metal protective cover for bayonet plug connectors with stainless steel chain.
2. Standard materials configuration consists of aluminum alloy with cadmium free conductive finish and black passivation.
3. Other types of front and rear connector accessories are available.
See our website and/or contact the factory for complete information.





Commital P/N	Shell size	Sleeve	A	B	C	F thread	L Max.
IT 3057-10A	18	IT 3420-10	33	16.0	10.2	1.0000 - 20UNEF	28.5
IT 3057-12A	20 - 22	IT 3420-12	35	19.0	10.2	1.1875 - 18UNEF	24.0
IT 3057-16A	24 - 28	IT 3420-16	43	23.8	10.5	1.4375 - 18UNEF	26.0
IT 3057-20A	32	IT 3420-20	51	31.7	12.5	1.7500 - 18UNS	28.0
IT 3057-24A	36	IT 3420-24	58	35.0	14.0	2.0000 - 18UNS	29.4
IT 3057-28A	40	IT 3420-28	65	41.2	14.0	2.2500 - 16UN	42.8

Application Notes:

1. General duty cable clamp suitable for jacketed or multi-conductor cable or wire bundles protected by shrink tubing.
2. Standard materials configuration consists of aluminum alloy with cadmium free conductive finish and black passivation.
3. Other types of front and rear connector accessories are available.
See our website and/or contact the factory for complete information.



IT 3057-XXC
General Duty Cable Clamp
 for Jacketed or Multipolar Cable or Wires Protected by Tubing



IT 3057-10C F2

MIL-C-5015 Compatible
Accessory

Basic Part Number
and Shell Size Designator
(Table I)

Finish Options (Table II)

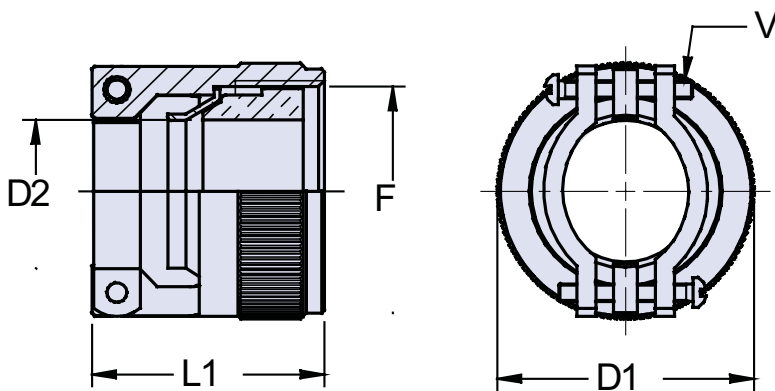


TABLE II: MODIFICATION CODES

FINISH OPTIONS	
Sym	Description
F2	Bright Nickel Plating
F6	Black Electrodeposited Paint
F8	Olive Drab Zn-Co Plating
Omit for standard version (See Note 2)	

TABLE I: PART NUMBER AND CONNECTOR SIZE DESIGNATOR

Part Number	Shell size	Sleeve	A	B		F thread	L	V thread
				min.	Max.			
IT 3057-10C	18	IT 3420 - 6A / 10A	31.0	9.60	15.87	1.0000 - 20UNEF	35.3	6 - 32NC
IT 3057-12C	20 - 22	IT 3420 - 8A / 12A	37.3	11.30	19.00	1.1875 - 18UNEF	35.7	8 - 32NC
IT 3057-16C	24 - 28	IT 3420 - 8A / 12A / 16A	42.0	15.50	23.80	1.4375 - 18UNEF	38.5	8 - 32NC
IT 3057-20C	32	IT 3420 - 12A / 16A / 20A	54.0	23.40	31.75	1.7500 - 18UNS	44.8	250 - 20NC
IT 3057-24C	36	IT 3420 - 16A / 18A / 24A	57.1	23.40	35.00	2.0000 - 18UNS	51.6	250 - 20NC
IT 3057-28C	40	IT 3420 - 16A / 20A / 28A	63.5	29.90	41.25	2.2500 - 16UN	51.6	250 - 20NC

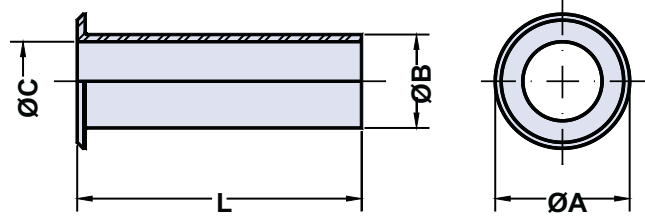
Application Notes:

1. General duty cable clamp suitable for jacketed or multipolar cable or wires protected by tubing.
2. Standard materials configuration consists of aluminum alloy with cadmium free conductive finish and black passivation.
3. Other types of front and rear connector accessories are available.
See our website and/or contact the factory for complete information.



**IT 3420-XX (Class A)
Neoprene Sleeve for Protection & Reduction
Used with Class A Cable Clamps**

IT 3420-10
MIL-C-5015 Compatible
Accessory
Basic Part Number
and Shell Size Designator (Table I)



**IT 3420-XX Neoprene Sleeve
to be used with Class A Cable Clamps**

TABLE I: PART NUMBER AND SHELL SIZE DESIGNATOR

Part Number	A -0.1	B -0.1	C -0.1	L -0.1
IT3420 - 10	22.0	15.62	14.27	60.3
IT3420 - 12	27.0	18.79	15.87	57.1
IT3420 - 16	33.3	23.54	19.05	53.9
IT3420 - 20	40.5	31.49	23.79	50.8
IT3420 - 24	46.9	34.67	31.75	47.6
IT3420 - 28	52.9	40.99	34.92	44.4

Application Notes:

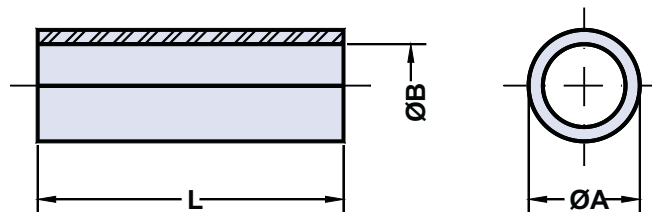
1. IT 3420-XX: Neoprene bushing for protection and reduction, used with class A cable clamps.
2. Other types of front and rear connector accessories are available.
See our website and/or contact the factory for complete information.



**IT 3420-XXA (Class C)
Neoprene Sleeve for Protection & Reduction
Used with Class C Cable Clamps**



IT 3420-10A
MIL-C-5015 Compatible
Accessory
Basic Part Number
and Shell Size Designator (Table I)



**IT 3420-XXA Neoprene Sleeve
to be used with Class C Cable Clamps**

TABLE I: PART NUMBER AND SHELL SIZE DESIGNATOR

Part Number	A -0.1	B -0.1	L -0.1
IT3420 - 6A	10.50	7.93	50.5
IT3420 - 8A	13.50	11.10	50.5
IT3420 - 10A	15.70	11.10	50.5
IT3420 - 12A	18.50	13.74	50.9
IT3420 - 16A	23.60	19.00	50.9
IT3420 - 20A	31.10	23.80	50.2
IT3420 - 24A	33.90	28.50	51.1
IT3420 - 28A	40.60	31.80	50.2

Application Notes:

1. IT 3420-XXA: Neoprene bushing for protection and reduction, used with class C cable clamps
2. Other types of front and rear connector accessories are available.
See our website and/or contact the factory for complete information.



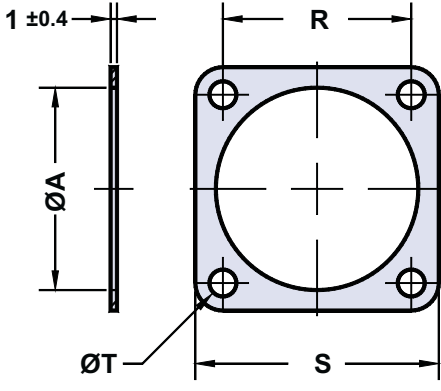
**IT 40450-XX and IT 40450-XXS
Connector Mounting Gaskets
for Front-Mounted Square Flange Receptacle**

IT 40450-18 S

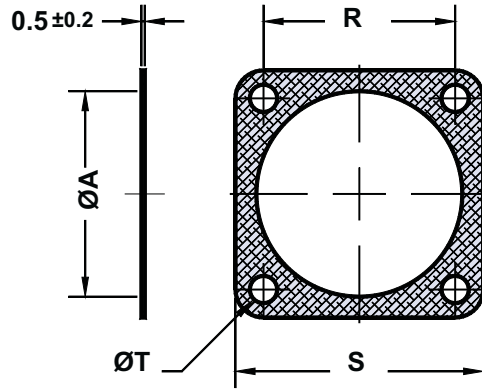
MIL-C-5015 Compatible
Accessory

Basic Part Number
and Shell Size Designator
(Table I)

S = Conductive
(Omit for Non-Conductive)



**IT 40450-XX
Non-Conductive**



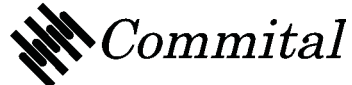
**IT 40450-XXS
Conductive**

TABLE I: PART NUMBER AND SHELL SIZE DESIGNATOR

Part Number	Shell size	A +1	R -0.2	S -0.5	T +0.5
IT 40450 - 18	18	28.4	27.0	35.0	4.2
IT 40450 - 20	20	31.6	29.4	38.0	4.2
IT 40450 - 22	22	34.8	31.8	41.0	4.2
IT 40450 - 24	24	38.0	34.9	44.5	4.2
IT 40450 - 28	28	44.3	39.7	50.8	5.1
IT 40450 - 32	32	50.7	44.5	57.0	5.1
IT 40450 - 36	36	57.0	49.2	63.5	5.1
IT 40450 - 40	40	61.9	55.5	69.9	5.1

Application Notes:

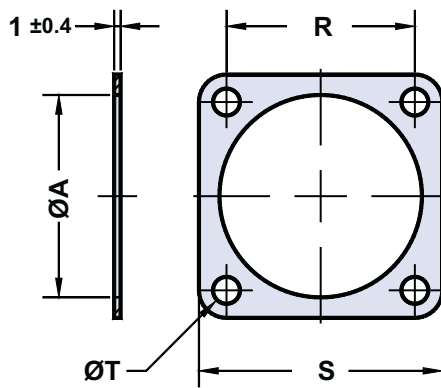
1. Conductive and non-conductive gasket for front-mount square flange connectors.
2. Other types of front and rear connector accessories are available. See our website and/or contact the factory for complete information.



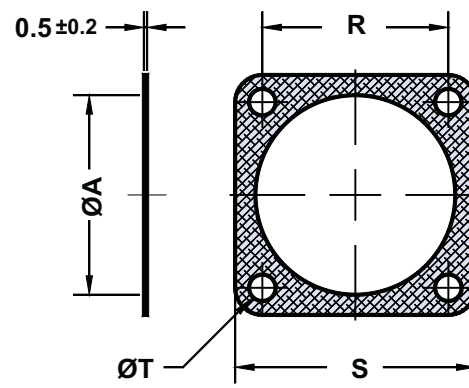
**IT 40460-XX and IT 40460-XXS
Connector Mounting Gaskets
for Rear-Mounted Square Flange Receptacle**



IT 40460-18 S
 MIL-C-5015 Compatible Accessory
 Basic Part Number and Shell Size Designator (Table I)
 S = Conductive (Omit for Non-Conductive)



**IT 40460-XX
Non-Conductive**



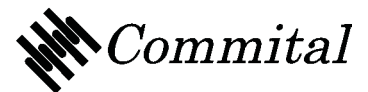
**IT 40460-XXS
Conductive**

TABLE I: PART NUMBER AND SHELL SIZE DESIGNATOR

Part Number	Shell size	A +0.3	R -0.2	S -0.5	T +0.5
IT 40460 - 18	18	30.8	27.0	35.0	4.2
IT 40460 - 20	20	34.2	29.4	38.0	4.2
IT 40460 - 22	22	37.4	31.8	41.0	4.2
IT 40460 - 24	24	40.9	34.9	44.5	4.2
IT 40460 - 28	28	46.7	39.7	50.8	5.1
IT 40460 - 32	32	53.4	44.5	57.0	5.1
IT 40460 - 36	36	59.6	49.2	63.5	5.1
IT 40460 - 40	40	65.5	55.5	69.9	5.1

Application Notes:

1. Conductive and non-conductive gasket for rear-mount square flange connectors.
2. Other types of front and rear connector accessories are available.
See our website and/or contact the factory for complete information.





CRIMPING TOOLS

- M.105001** Crimping tool for #20 contacts
- M.105007** Crimping tool for #16 and #12 contacts
- M.105000** Crimping tool for #8 contacts
- M.112000** Pneumatic crimping tool for #8 contacts
- M.112004** Hydraulic crimping tool for #8 contacts
- M.22520.5.01** Crimping tool for #8 Coaxial contacts
- M.104012** Crimping die for #20 contacts
- M.104000** Crimping die for #16 contacts
- M.104001** Crimping die for #12 contacts
- M.104002** Crimping die for #8 contacts
- M.112001** Crimping die for #8 contacts (for M.112000)
- M.112005** Crimping die for #8 contacts (for M.112004)

Consult The Factory for Custom Toolkits





INSERTION & REMOVAL TOOLS

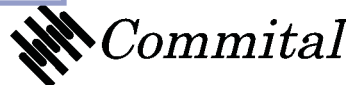
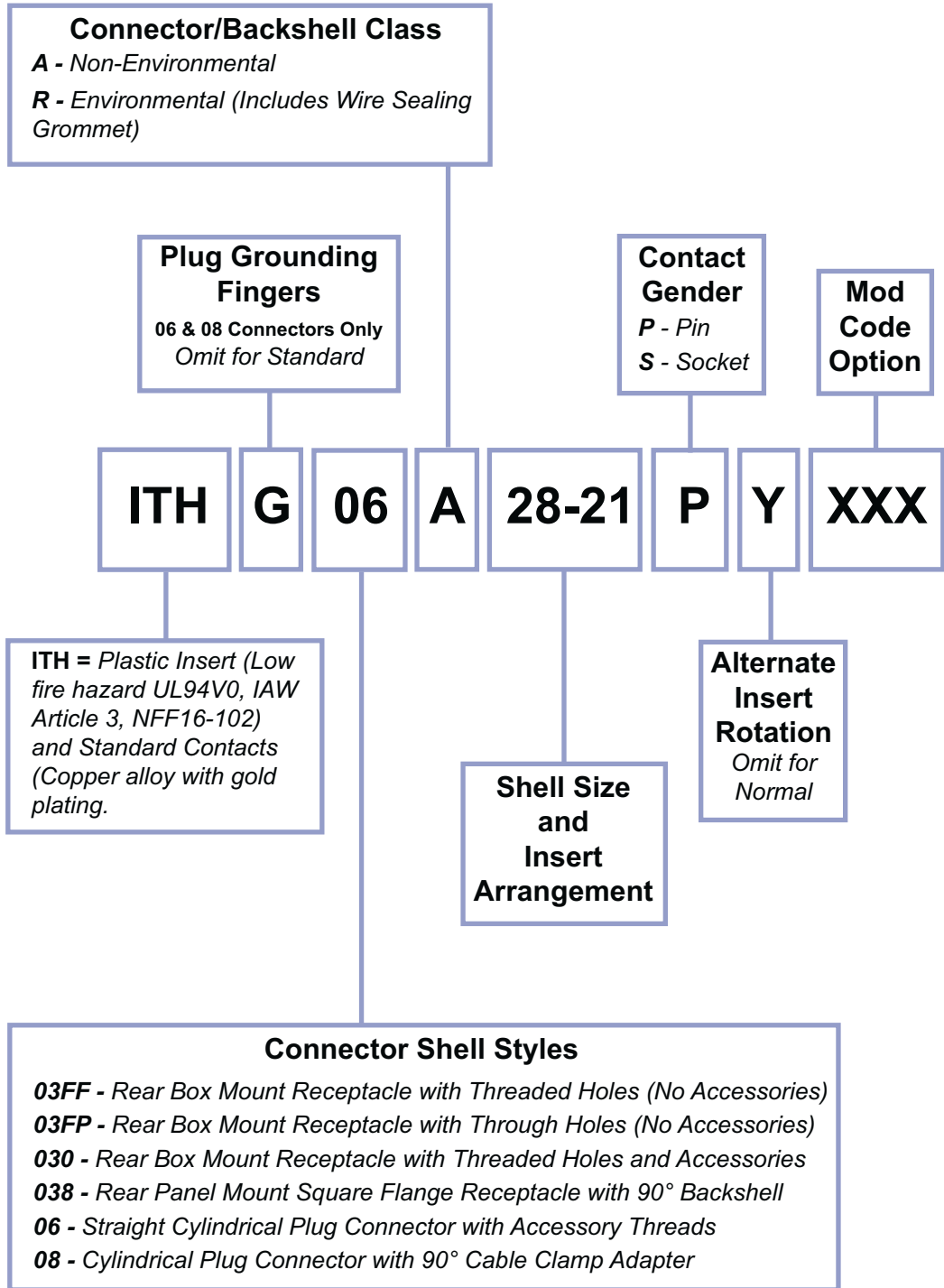
M.104013	Removal tool for #20 contacts
M.104003	Removal tool for #16 contacts
M.104004	Removal tool for #12 contacts
M.104005	Removal tool for #8 contacts
M.104014	Insertion tool for #20 contacts
M.104006	Insertion tool for #16 contacts
M.104007	Insertion tool for #12 contacts
M.104008	Insertion tool for #8 contacts

Consult The Factory for Custom Toolkits





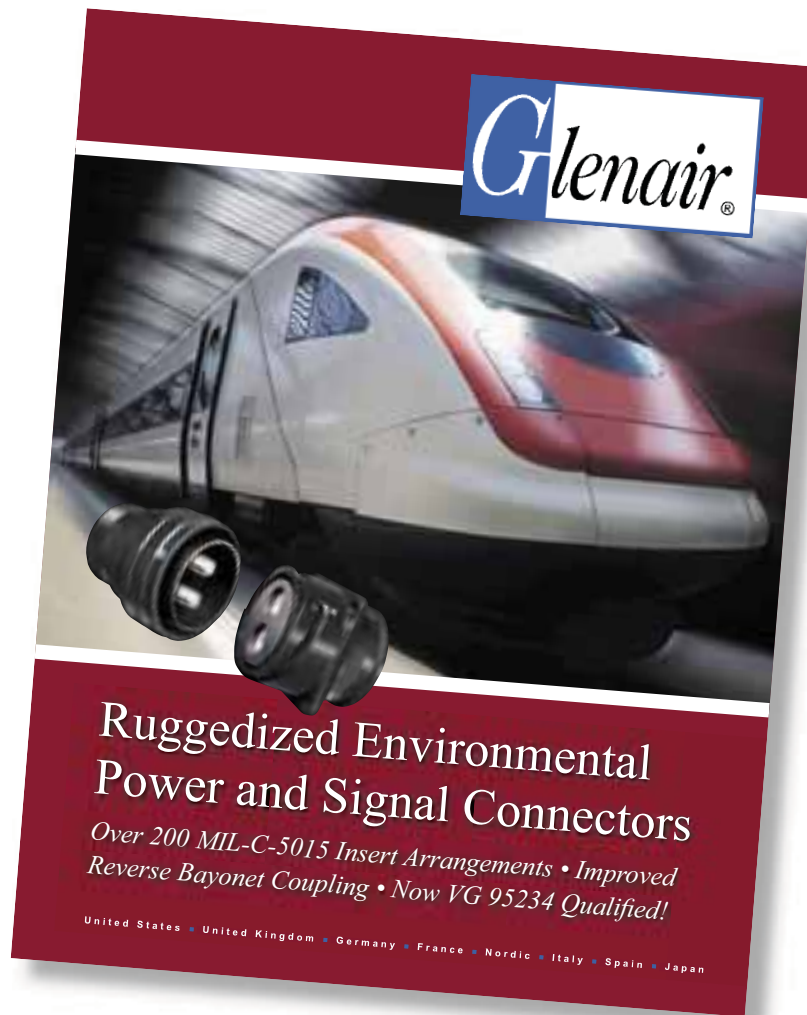
How to Order Series ITH Rigid Insert Reverse Bayonet Connectors



Now Arriving on Track 5015!

Glenair Series ITS

Reverse Bayonet Connectors



Commital SpA

Via Cà Dell'Orbo, 49 - 40050 VILLANOVA DI CASTENASO
BOLOGNA, ITALY

Telephone: +39 051/782811 r.a. - Fax: +39 051/782259 · E-Mail: commital@commital.com
www.commital.com

United States · United Kingdom · Germany · Nordic · France · Italy · Spain
www.glenair.com

A World of Interconnect Solutions



A World of Interconnect Solutions

- Fast Turnaround on Quotes and Custom Orders
- 50,000 Part Number Same-Day Inventory
- No "Minimum Order" Policy
- Abundant Manufacturing Capacity
- Full Spectrum Product Lines

M83513 Micro-D TwistPin Connectors

M32139 Nanominiature Connectors

M85049 Circular Connector Accessories

Composite Connectors and Backshells

Connector Covers, Caps and Boots

D-Subminiature and Micro-D Backshells

D38999 Fiber Optic Connectors and Termini

M28876 Fiber Optic Connectors and Termini

MIL-DTL-38999 Hermetic Connectors

MIL-C-28840 Shipboard Connectors

Series 80 "Mighty Mouse" Connectors

Sav-Con® Connector Savers

Series 22 Geo-Marine® Connectors

M24758 Shipboard Conduit and Fittings

Metal-Core and Plastic Convuluted Tubing

D38999 EMI/EMP Filter Connectors

5015 / VG95234 Reverse Bayonet Connectors

Overmolded and Braided Cable Assemblies

EMI Braided Sleeving and Banding Tools

EMI Junction Boxes and Box Assemblies

Connector Backshell Assembly Tools

Mil-Spec Nut Rings and EMI/RFI Gaskets

Glenair, Inc.
Worldwide Headquarters
1211 Air Way
Glendale, California
United States of America
91201-2497

Telephone:
818-247-6000
Facsimile:
818-500-9912
sales@glenair.com

Glenair, Inc.
Commital Product Sales and Support Group (US)
25 Village Lane
Wallingford, CT 06492

Telephone:
203-741-1115
Facsimile:
203-741-0053
sales@glenair.com

Glenair UK Ltd
40 Lower Oakham Way
Oakham Business Park
P.O. Box 37, Mansfield
Notts, NG18 5BY
England

Telephone:
44-1623-638100
Facsimile:
44-1623-638111
sales@glenair.co.uk

Glenair Electric GmbH
Siemensstrasse 9
D-61449 Steinbach
Germany

Telephone:
49-6171-5905-0
Facsimile:
49-6171-5905-90
germany@glenair.com

Glenair B. V.
Beneluxweg 37
4904 SJ Oosterhout
Netherlands

Telephone:
31-162-47-24-90
Facsimile:
31-162-47-24-91
sales@glenair.nl

Glenair France SARL
Paris Nord 2
181 Avenue des Nations
BP 60056 Villepinte
95972 Roissy Charles De Gaulle Cedex
France

Telephone:
33-1-49-89-66-33
Facsimile:
33-1-49-89-66-30
sales@glenair.fr

Glenair Connectors Italia S.R.L.
and Commital Product Sales and Support Group (EU)
Via Santi, 1-20037
Paderno Dugnano
Milano, Italy

Telephone:
+39-02-91082121
Facsimile:
+39-02-99043565
sales-italia@glenair.com

Glenair Nordic AB
Gustav III : S Boulevard 46
S - 16973 Solna
Sweden

Telephone:
46-8-50550000
Facsimile:
46-8-50550001
sales@glenair.se

Glenair Spain
C/ La Vega, 16
45612 Velada
Spain

Telephone:
34-925 89 29 88
Facsimile:
34-925 89 29 87
sales@glenair.es

www.glenair.com