



Glenair®



Glenair UniPower™ Power Distribution Connectors

*Safe, Rugged, and Reliable Connectors for
Mobile Generators and Power Distribution Systems*

United States ■ United Kingdom ■ Germany ■ France ■ Nordic ■ Italy ■ Spain ■ Japan

UniPower™ Power Distribution Connectors

Safe and Reliable 400-800 Amp Single Contact Connectors for Power Generation and Distribution Systems



Line Source



Line Drain



Panel Source



Panel Drain

Glenair UniPower™ Connectors provide reliable interconnection between power generation and distribution systems and high-powered equipment such as three-phase motors, concert sound systems, lighting panels, carnival rides and municipal emergency power systems. The color-coded plastic bodies are fire and high impact resistant and are also watertight when mated.

Typical applications include open air concerts, theme parks, sporting events, construction sites, remote television broadcasts, and trade shows.



GLENAIR, INC.

1211 AIR WAY • GLENDALE, CA 91201-2497

TEL: 818-247-6000 • FAX: 818-500-9912

E-Mail: sales@glenair.com • www.glenair.com



Glenair UniPower™ : Safe, Rugged, and Reliable Power Distribution Connectors

Power Connectors for Industry, Sound and Show Business

UniPower™ is a single pole electrical connector used by the entertainment, construction and power utility industries for temporary high current applications. Glenair UniPower™ Power Distribution Connectors provide safe and reliable power distribution connections, typically in three-phase or other polyphase power distribution systems. The connectors are supplied in four formats for standard daisy chain cabling: Panel Drain, Panel Source, Line Drain and Line Source. Supplied in 400A (set-screw) and 800A (Crimp) versions, these shock, moisture and impact resistant connectors are ideally suited for all high current applications including three phase motors, generators, lighting distribution panels, and temporary municipal power supplies.



Color Coded for Three Phase Applications

UniPower™ power connectors are designed for single phase and much more commonly three phase applications. Each connector format is available in color-coded versions corresponding to industry standards for three phase systems: L1, L2, L3, Ground (G), and Neutral (N). Conductors

of a three phase system are usually identified by a color code, to allow for balanced loading and to assure the correct phase rotation for induction motors. Colors used vary from country to country, and may vary even within a single installation.

Glenair UniPower™ Power Connectors are color coded according to industry standards and common practice in the U.S., UK and Europe. New "harmonized" color coding, per IEEE BS7671:2001 Amendment No. 2, is also available for pan-European applications.

Easy Termination and Assembly

UniPower™ power connectors utilize industry standard crimp tools, dies and other assembly aids for proper termination and assembly of cables and connectors. Depending on application requirements, additional tools such as cable strippers, cotter presses, strap wrenches or other tools may be needed. One specialized tool is required for all applications: A lock pin release key which is used to disengage the spring loaded pin which prevents accidental unmating during use.

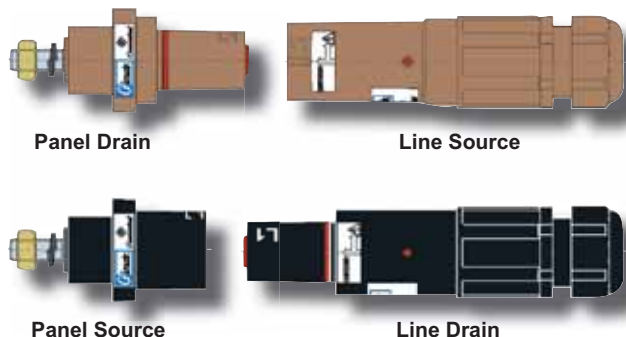
Glenair is able to supply the complete range of tooling as well as termination instructions for most standard installations.

Available Now

Glenair is well known throughout the connector industry for fast turnaround and delivery on high-performance interconnect components. Our UniPower™ power connectors are no exception. We are able to offer extraordinarily fast service on orders throughout Europe, the UK and in North America. Please visit us at www.glenair.com for complete order information.



Glenair UniPower™ Product Specifications



Color Coding					
Area	Earth	Neutral	L1	L2	L3
USA	Green	White	Black	Red	Blue
Europe	Green	Blue	Brown	Black	Grey
UK	Green	Black	Red	Yellow	Blue
IEEE BS7671:2001 Amd. No.2	Green	Blue	Brown	Black	Grey

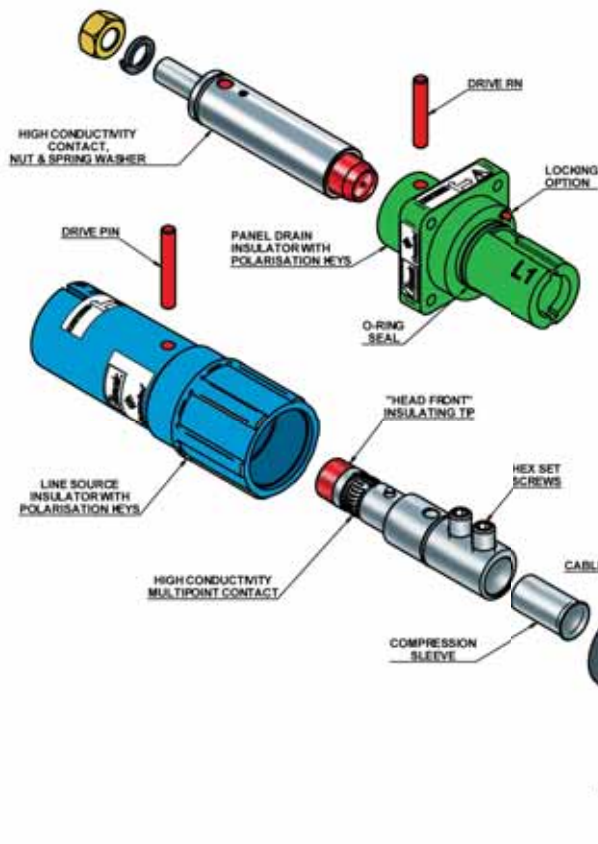
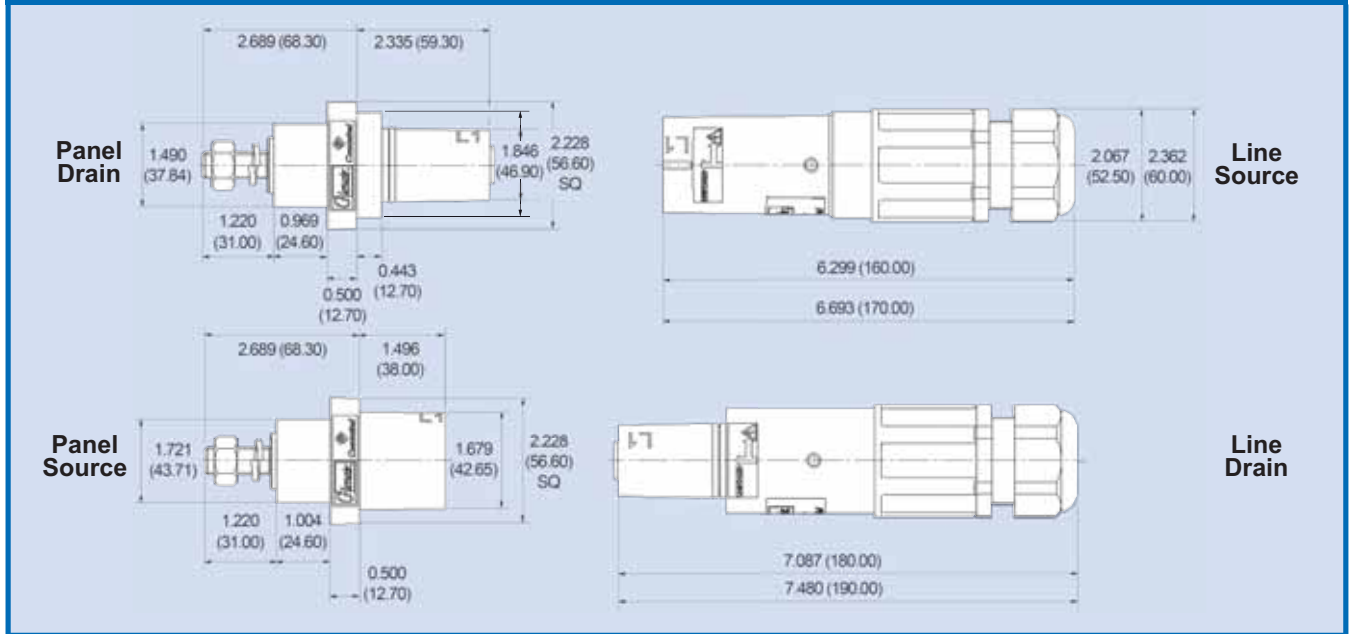
Glenair UniPower™ Product Specifications

Glenair UniPower™ single contact connectors are qualified in both the EU and U.S. for use in portable power generation and distribution systems. This table summarizes the baseline product specifications for connectors equipped with crimp, set screw and threaded post contacts.

Formats	Panel Drain, Panel Source, Line Drain, and Line Source
Cable Section	Crimp Contact Version: 300 mm ² max ; Set Screw Version: 120 mm ² max
Contact Types	Crimp, Set Screw or Threaded Post (Panel Versions Only)
Contact Retention/Extraction System	Drive Pin with Secondary Lock
Mating Method	Polarization Keyways with Lock Pins
Mating Cycles	500
Layout	Single Contact with Finger Touch Insulating Tip
Maximum Current Rating	400A (120 mm ² Set Screw), or 800A (300 mm ² Crimp)
Maximum Rated Voltage to Ground	2KVAC; 3KVDC
Test Voltage	8.000 Vac
Minimum Insulating Resistance	>5x10 ³ MΩ at 500 Vac
Operating Temperature Range	-30°C to +125°C
Flammability	UL 94 VO
Shell Material	Thermoplastic Resin
Environmental Resistance	Watertight in Mated Condition to IP67
Safety Features	Mechanical and Color-Coded Mis-Mate Protection; Finger-Proof Contact Nose
Shell Colors	Green, Black, Red, Yellow, Blue, Brown, White, and Grey
Accessories	Compression Sleeves, Lock Pin Release Key, and Protective Covers
Crimp Tools	Industry Standard Crimp Tools and Dies Available for All Crimp, Set Screw and Panel Mount Terminations. Part Numbers: 2702010014 CC300P and 702010015 CC300S , 300mmq with Crimp Tool M.105013 and Jaw M.112024 2702010004 CC240P and 2702010005 CC240S , 250mmq with Crimp Tool M.105013 and Jaw M.112018

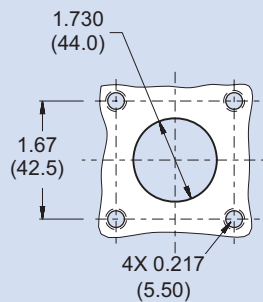
Glenair UniPower™ Product Specifications

Connector Dimensions

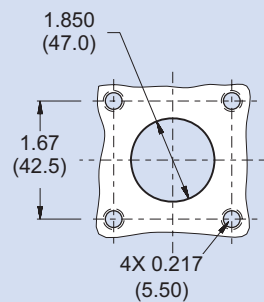


Panel Cut-Out Dimensions

Panel Source Cut-Out



Panel Drain Cut-Out



Metric Dimensions (mm) are in parentheses

Connector Formats and Contacts

Line Source



Glenair UniPower™ line source connectors are available in 400A and 800A ratings, and feature rigid male contacts with a dielectric cover to prevent accidental shock. A secondary locking pin slot ensures connector pairs will stay mated—free from accidental decoupling. Cable sealing glands protect against environmental damage to contact terminations. Finally, a rugged nylon cotter pin secures everything in place, for long-term, reliable power connectivity for even the most challenging of applications.

The 400A version allows users to terminate a wide range of cables, from 25mm² to 120mm², by means of a reduction sleeve. Simply tightening the two set screws atop the contact fastens the reducer onto the wire—providing complete versatility in the selection of cable and wire for power system applications.

Line Drain



Glenair UniPower™ line drain connectors are available in 400A and 800A max current ratings, and feature rigid IP2X spring loaded contacts secured firmly in place with rugged nylon cotter pins. Like their source counterparts, shock-resistant insulating tips safeguard users from accidental electrocution.

Standard O-ring and cable sealing glands ensure IP67 environmental rating when connectors are mated for long-term durability and reliability.

Tugged cables or curious hands can't accidentally decouple UniPower™ connector pairs, thanks to a secondary locking pin that securely joins the connectors in the mated position. A secondary remote locking key disengages the mated connectors safely and quickly. Color coded connectors prevent mis-mating and comply with EU, UK and US standards.

Connector Formats and Contacts

Panel Source and Drain

Glenair UniPower™ panel source and drain connectors offer complete flexibility in power system device configuration. Choose between source and drain formats, in either 400A or 800A ratings. All panel connectors feature a rigid IP2X 'finger proof' dielectric insulating tip to protect users from accidental electrocution.

The panel source connector features a male contact and secondary locking pin slot to prevent accidental cable de-mating due to cable torsion. Panel drain connectors are supplied standard with female contacts that feature an IP2X spring loaded nose and IP67 rated O-ring environmental seal. The connectors are ideally suited for industrial power distribution systems, three-phase motors, concert sound systems and other outdoor, environmental applications.

All panel receptacles are shipped fully assembled. Color coding prevents mis-mating and ensures compliance with EU, UK and US standards.



Contacts and Accessories

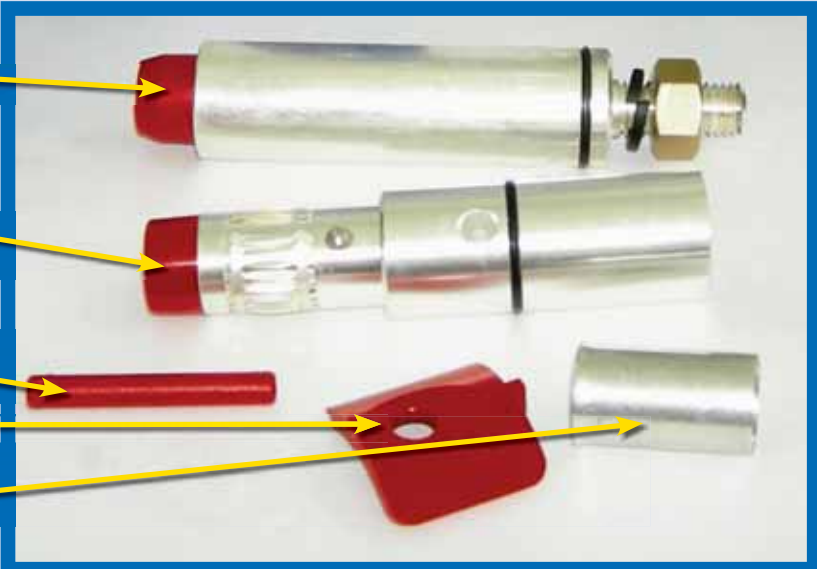
800A Version High Conductivity Contact, Nut, Spring and Washer

400A Version High Conductivity Multipoint Contact with Set Screws

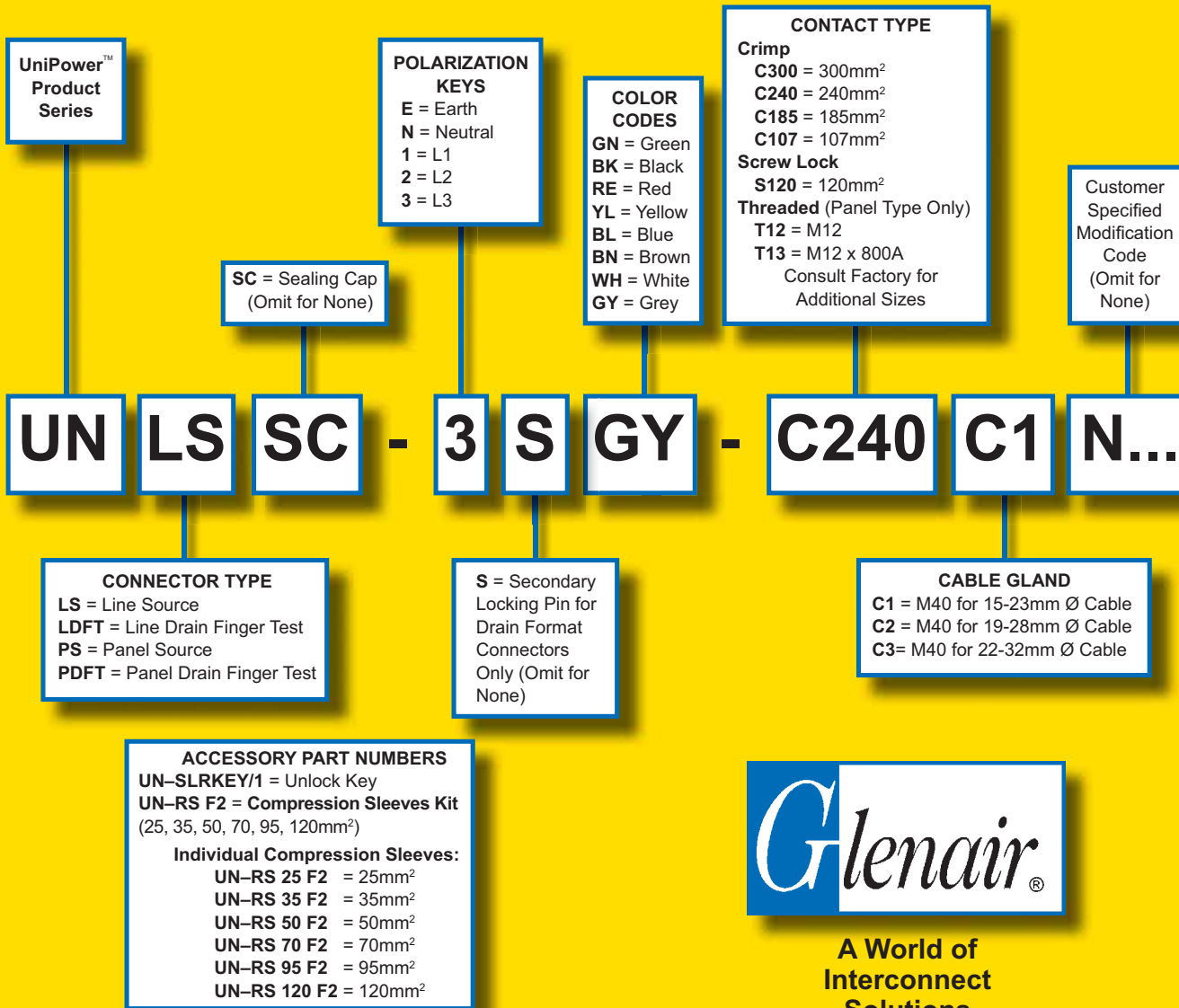
Locking Pin

Lock Pin Release Key

Reduction Sleeve



Glenair UniPower™ Connectors



Glenair, Inc.
Commital Product Management Team
 25 Village Lane
 Wallingford, CT 06492
 Telephone: 203-741-1115
 Facsimile: 203-741-0053
 sales@glenair.com

Glenair Commital
 Via Cà dell'Orbo, 49
 40050 Villanova di Castenaso
 Italy
 Telephone: 0039-051-782811
 Facsimile: 0039-051-782259
 commital@commital.com

Glenair Connectors Italia S.R.L.
 Via Santi, 1-20037
 Paderno Dugnano
 Milano
 Italy
 Telephone: +39-02-91082121
 Facsimile: +39-02-99043565
 E-mail: sales-italia@glenair.com

Glenair, Inc.
Worldwide Headquarters
 1211 Air Way
 Glendale, California
 United States of America
 91201-2497
 Telephone: 818-247-6000
 Facsimile: 818-500-9912
 E-mail: sales@glenair.com